

# Makita®

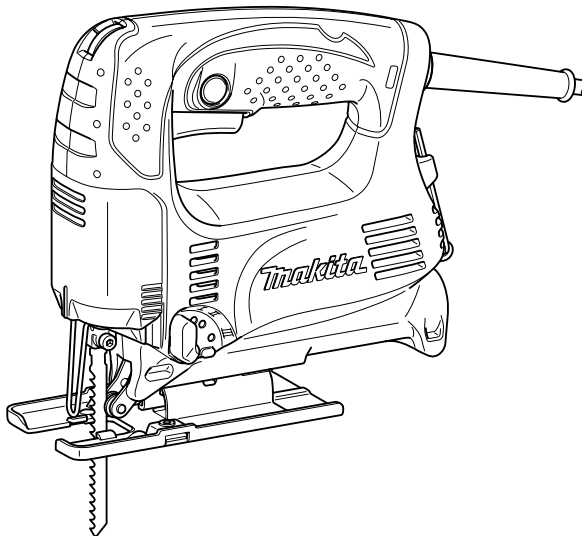
<b>GB</b>	<b>Jig Saw</b>	<b>Instruction Manual</b>
<b>F</b>	<b>Scie sauteuse</b>	<b>Manuel d'instructions</b>
<b>D</b>	<b>Stichsäge</b>	<b>Betriebsanleitung</b>
<b>I</b>	<b>Seghetto alternativo</b>	<b>Istruzioni per l'uso</b>
<b>NL</b>	<b>Decoupeerzaag</b>	<b>Gebruiksaanwijzing</b>
<b>E</b>	<b>Sierra caladora</b>	<b>Manual de instrucciones</b>
<b>P</b>	<b>Serra tico-tico</b>	<b>Manual de instruções</b>
<b>DK</b>	<b>Dekupørsav</b>	<b>Brugsanvisning</b>
<b>GR</b>	<b>Παλινδρομικό πριόνι</b>	<b>Οδηγίες χρήσεως</b>

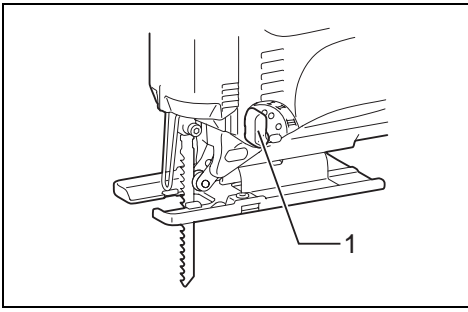
**4326**

**4327**

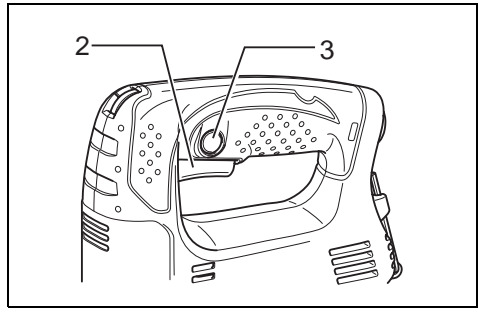
**4328**

**4329**

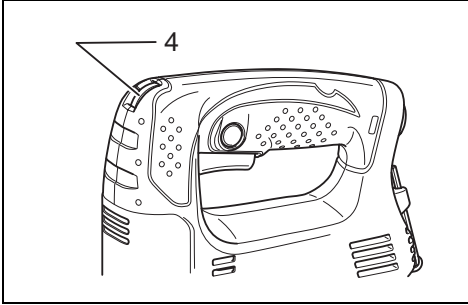




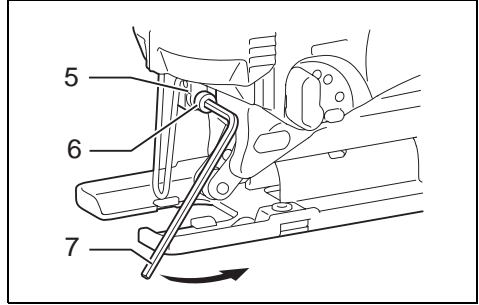
1



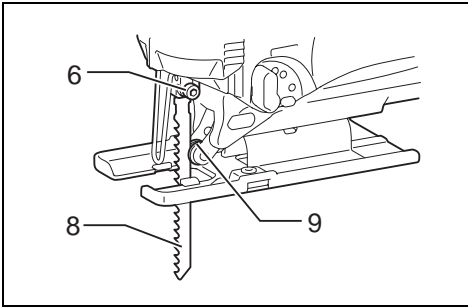
2



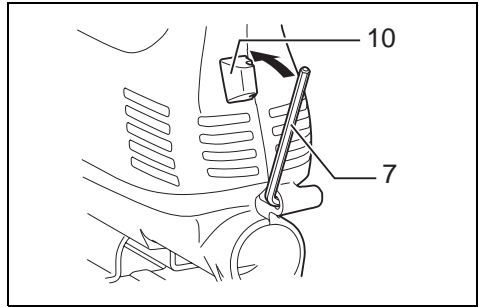
3



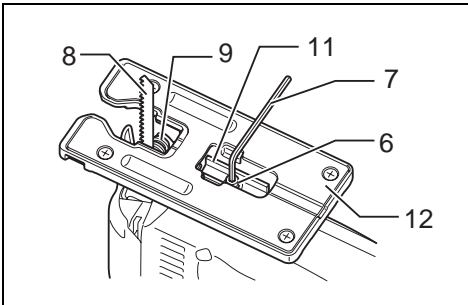
4



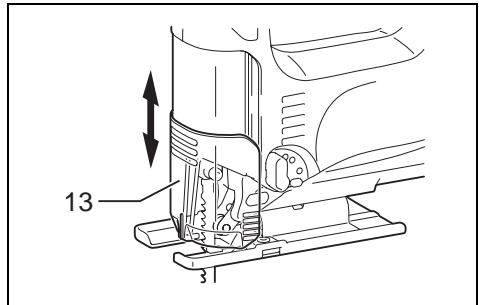
5



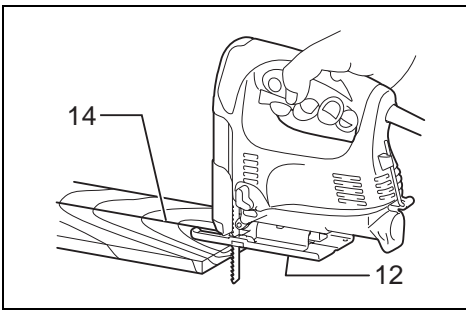
6



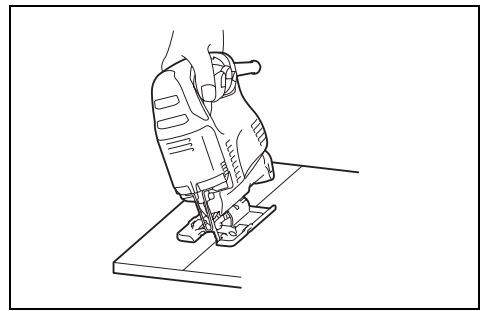
7



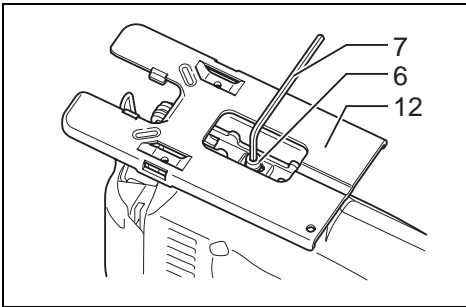
8



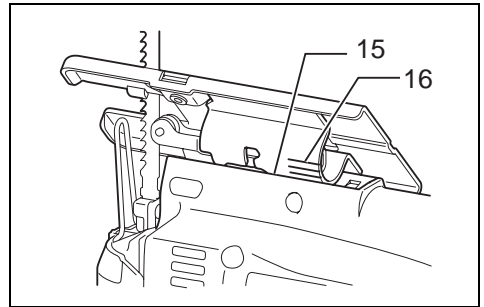
9



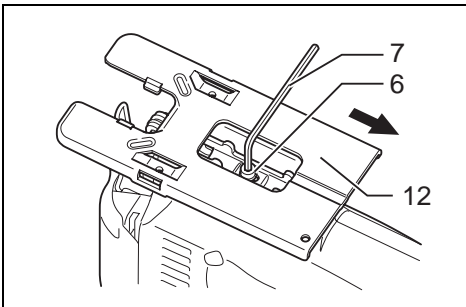
10



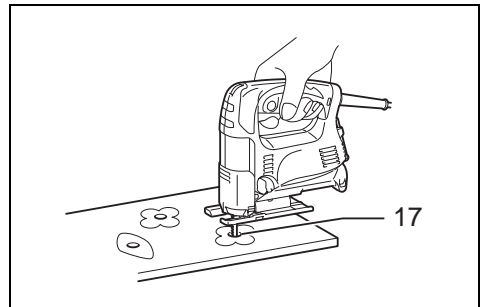
11



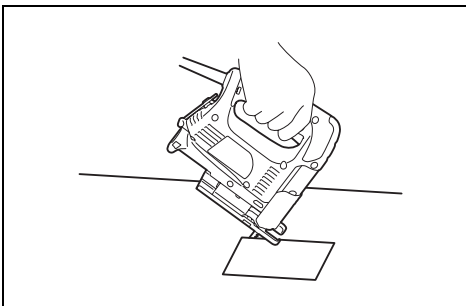
12



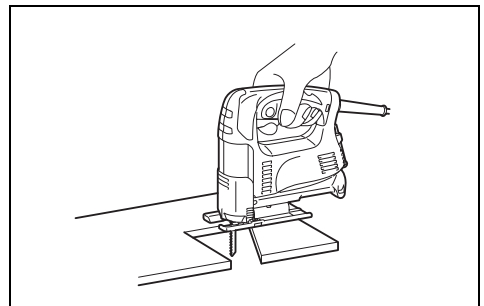
13



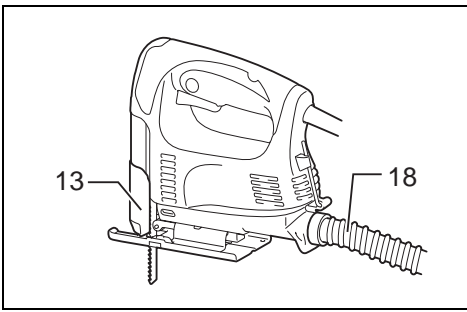
14



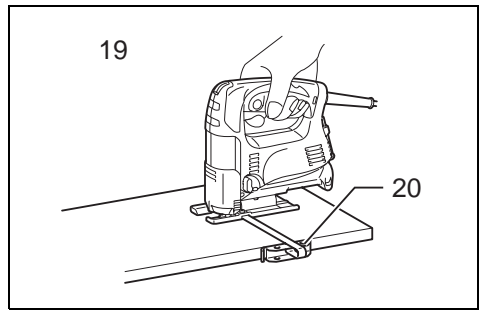
15



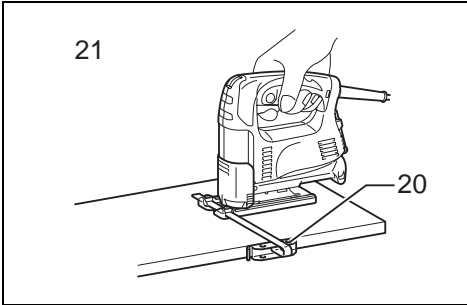
16



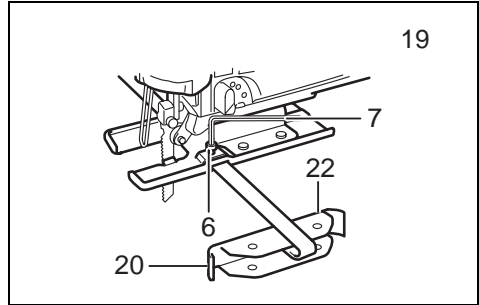
17



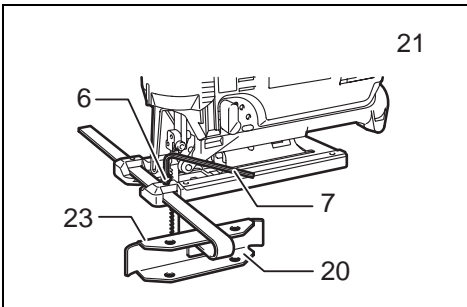
18



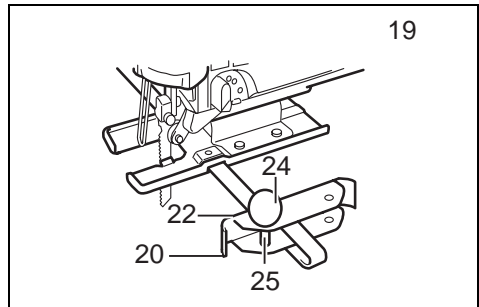
19



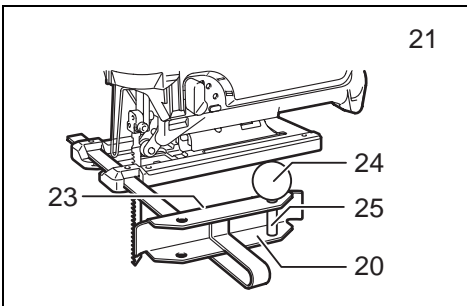
20



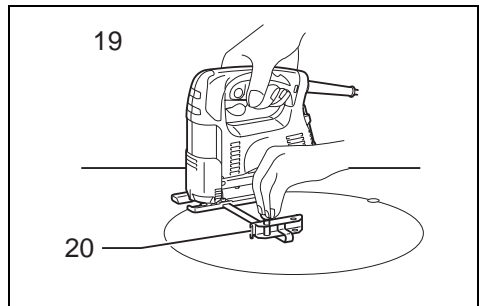
21



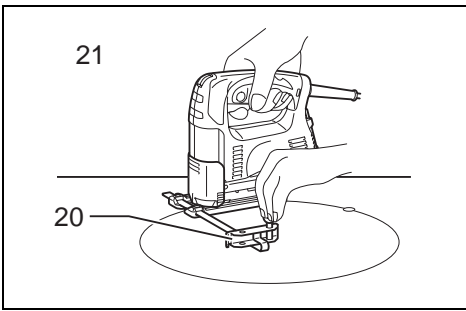
22



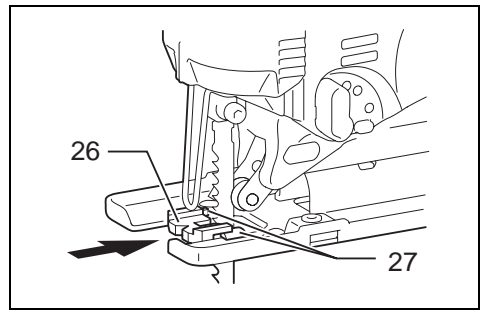
23



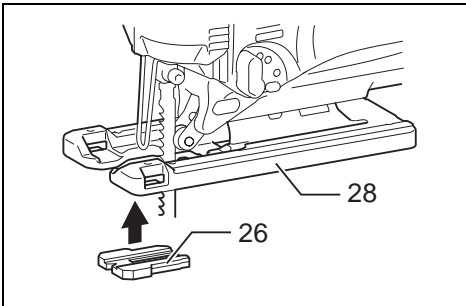
24



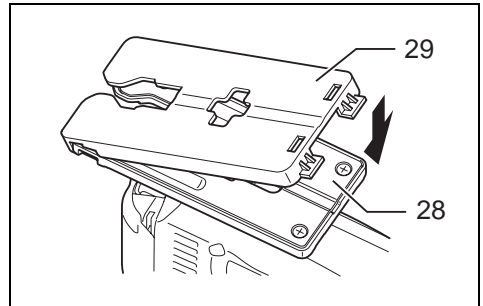
**25**



**26**



**27**




**28**

Explanation of general view

1 Cutting action changing lever	11 Retainer	21 Aluminum base type
2 Switch trigger	12 Base	22 Guide facing
3 Lock button	13 Dust cover	23 Fence guide
4 Speed adjusting dial	14 Cutting line	24 Threaded knob
5 Blade holder	15 Edge	25 Pin
6 Bolt	16 Graduation	26 Anti-splintering device
7 Hex wrench	17 Starting hole	27 Protrusions
8 Blade	18 Hose	28 Aluminum base
9 Roller	19 Steel base type	29 Cover plate
10 Hook	20 Rip fence (Guide rule)	

**SPECIFICATION**

Model		4326	4327	4328	4329
Length of stroke		18 mm	18 mm	18 mm	18 mm
Blade type		B type			
Max. cutting capacities	Wood	65 mm	65 mm	65 mm	65 mm
	Mild steel	6 mm	6 mm	6 mm	6 mm
Strokes per minute (min <sup>-1</sup> )		3,100	500 – 3,100	500 – 3,100	500 – 3,100
Overall length	217 mm (Steel base type)	217 mm (Steel base type)	217 mm	223 mm	
	223 mm (Aluminum base type)	223 mm (Aluminum base type)			
Net weight	1.8 kg (Steel base type)	1.8 kg (Steel base type)	1.8 kg	1.9 kg	
	1.9 kg (Aluminum base type)	1.9 kg (Aluminum base type)			
Safety class		 /II			

- Due to our continuing programme of research and development, the specifications herein are subject to change without notice.
- Note: Specifications may differ from country to country.

**Intended use**

The tool is intended for the sawing of wood, plastic and metal materials. As a result of the extensive accessory and saw blade program, the tool can be used for many purposes and is very well suited for curved or circular cuts.

**Power supply**

The tool should be connected only to a power supply of the same voltage as indicated on the nameplate, and can only be operated on single-phase AC supply.

They are double-insulated in accordance with European Standard and can, therefore, also be used from sockets without earth wire.

**Safety hints**

For your own safety, please refer to the enclosed safety instructions.

**SPECIFIC SAFETY RULES**

GEB016-1

**DO NOT let comfort or familiarity with product (gained from repeated use) replace strict adherence to jig saw safety rules. If you use this tool unsafely or incorrectly, you can suffer serious personal injury.**

1. **Hold power tools by insulated gripping surfaces when performing an operation where the cutting tool may contact hidden wiring or its own cord.** Contact with a "live" wire will make exposed metal parts of the tool "live" and shock the operator.
2. **Use clamps or another practical way to secure and support the workpiece to a stable platform.** Holding the work by hand or against your body leaves it unstable and may lead to loss of control.
3. **Always use safety glasses or goggles. Ordinary eye or sun glasses are NOT safety glasses.**
4. **Avoid cutting nails. Inspect workpiece for any nails and remove them before operation.**
5. **Do not cut oversize workpiece.**

6. Check for the proper clearance beyond the workpiece before cutting so that the blade will not strike the floor, workbench, etc.
7. Hold the tool firmly.
8. Make sure the blade is not contacting the workpiece before the switch is turned on.
9. Keep hands away from moving parts.
10. Do not leave the tool running. Operate the tool only when hand-held.
11. Always switch off and wait for the blade to come to a complete stop before removing the blade from the workpiece.
12. Do not touch the blade or the workpiece immediately after operation; they may be extremely hot and could burn your skin.
13. Do not operate the tool at no-load unnecessarily.
14. Some material contains chemicals which may be toxic. Take caution to prevent dust inhalation and skin contact. Follow material supplier safety data.
15. Always use the correct dust mask/respirator for the material and application you are working with.

**SAVE THESE INSTRUCTIONS.**

**WARNING:**  
**MISUSE** or failure to follow the safety rules stated in this instruction manual may cause serious personal injury.

**FUNCTIONAL DESCRIPTION**

**CAUTION:**

- Always be sure that the tool is switched off and unplugged before adjusting or checking function on the tool.

**Selecting the cutting action (For models 4328/4329) (Fig. 1)**

This tool can be operated with an orbital or a straight line (up and down) cutting action. The orbital cutting action thrusts the blade forward on the cutting stroke and greatly increases cutting speed.

To change the cutting action, just turn the cutting action changing lever to the desired cutting action position.

Refer to the table to select the appropriate cutting action.

Position	Cutting action	Applications
0	Straight line cutting action	For cutting mild steel, stainless steel and plastics.
		For clean cuts in wood and plywood.
I	Small orbit cutting action	For cutting mild steel, aluminum and hard wood.
II	Medium orbit cutting action	For cutting wood and plywood.
		For fast cutting in aluminum and mild steel.
III	Large orbit cutting action	For fast cutting in wood and plywood.

**Switch action (Fig. 2)**

**CAUTION:**

- Before plugging in the tool, always check to see that the switch trigger actuates properly and returns to the "OFF" position when released.

To start the tool, simply pull the switch trigger. Release the switch trigger to stop.

For continuous operation, pull the switch trigger and then push in the lock button.

To stop the tool from the locked position, pull the switch trigger fully, then release it.

**Speed adjusting dial (For models 4327/4328/4329) (Fig. 3)**

The tool speed can be infinitely adjusted between 500 and 3,100 strokes per minute by turning the adjusting dial. Higher speed is obtained when the dial is turned in the direction of number 6; lower speed is obtained when it is turned in the direction of number 1.

Refer to the table to select the proper speed for the workpiece to be cut. However, the appropriate speed may differ with the type or thickness of the workpiece. In general, higher speeds will allow you to cut workpieces faster but the service life of the blade will be reduced.

Workpiece to be cut	Number on adjusting dial
Wood	5 – 6
Mild steel	3 – 6
Stainless steel	3 – 4
Aluminum	3 – 6
Plastics	1 – 4

#### CAUTION:

- If the tool is operated continuously at low speeds for a long time, the motor will get overloaded and heated up.
- The speed adjusting dial can be turned only as far as 6 and back to 1. Do not force it past 6 or 1, or the speed adjusting function may no longer work.

### ASSEMBLY

#### CAUTION:

- Always be sure that the tool is switched off and unplugged before carrying out any work on the tool.

#### Installing or removing saw blade (Fig. 4 & 5)

#### CAUTION:

- Always clean out all chips or foreign matter adhering to the blade and/or blade holder. Failure to do so may cause insufficient tightening of the blade, resulting in a serious personal injury.
- Do not touch the blade or the workpiece immediately after operation; they may be extremely hot and could burn your skin.
- Always secure the blade firmly. Insufficient tightening of the blade may cause blade breakage or serious personal injury.
- Use only B type blades. Using blades other than B type blades causes insufficient tightening of the blade, resulting in a serious personal injury.

To install the blade, loosen the bolt counterclockwise on the blade holder with the hex wrench.

With the blade teeth facing forward, insert the blade into the blade holder as far as it will go. Make sure that the back edge of the blade fits into the roller. Then tighten the bolt clockwise to secure the blade.

To remove the blade, follow the installation procedure in reverse.

#### NOTE:

- Occasionally lubricate the roller.

#### Hex wrench storage (Fig. 6)

When not in use, store the hex wrench as shown in the figure to keep it from being lost.

#### Adjusting roller (For models 4326/4327) (Fig. 7)

Loosen the bolt on the back of the tool base with the hex wrench. Move the retainer so that the roller contacts the blade lightly. Then tighten the bolt to secure the tool base and the retainer.

#### NOTE:

- Occasionally lubricate the roller.

#### Dust cover (Fig. 8)

#### CAUTION:

- Always wear safety goggles even when operating the tool with the dust cover lowered.

Lower the dust cover to prevent chips from flying. However, when making bevel cuts, raise it all the way.

### OPERATION

#### CAUTION:

- Always hold the base flush with the workpiece. Failure to do so may cause blade breakage, resulting in a serious injury.
- Advance the tool very slowly when cutting curves or scrolling. Forcing the tool may cause a slanted cutting surface and blade breakage.

Turn the tool on without the blade making any contact and wait until the blade attains full speed. Then rest the tool base flat on the workpiece and gently move the tool forward along the previously marked cutting line. (Fig. 9)

#### Bevel cutting

#### CAUTION:

- Always be sure that the tool is switched off and unplugged before tilting the tool base.
- Raise the dust cover all the way before making bevel cuts.

With the base tilted, you can make bevel cuts at any angle between 0° and 45° (left or right). (Fig. 10)

Loosen the bolt on the back of the base with the hex wrench. Move the tool base so that the bolt is positioned in the center of the cross-shaped slot in the base. (Fig. 11)

Tilt the base until the desired bevel angle is obtained. The edge of the motor housing indicates the bevel angle by graduations. Then tighten the bolt to secure the base. (Fig. 12)

#### Front flush cuts (Fig. 13)

Loosen the bolt on the back of the tool base with the hex wrench, and slide the base all the way back. Then tighten the bolt to secure the tool base.

#### Cutouts

Cutouts can be made with either of two methods A or B.

##### A) Boring a starting hole

For internal cutouts without a lead-in cut from an edge, pre-drill a starting hole 12 mm or more in diameter. Insert the blade into this hole to start your cut. (Fig. 14)

##### B) Plunge cutting

You need not bore a starting hole or make a lead-in cut if you carefully do as follows.

1. Tilt the tool up on the front edge of the base with the blade point positioned just above the workpiece surface. (Fig. 15)
2. Apply pressure to the tool so that the front edge of the base will not move when you switch on the tool and gently lower the back end of the tool slowly.
3. As the blade pierces the workpiece, slowly lower the base of the tool down onto the workpiece surface.
4. Complete the cut in the normal manner.

#### Finishing edges (Fig. 16)

To trim edges or make dimensional adjustments, run the blade lightly along the cut edges.

#### Metal cutting

Always use a suitable coolant (cutting oil) when cutting metal. Failure to do so will cause significant blade wear. The underside of the workpiece can be greased instead of using a coolant.

#### Dust extraction (Fig. 17)

Clean cutting operations can be performed by connecting this tool to a Makita vacuum cleaner. Insert the hose of the vacuum cleaner into the hole at the rear of the tool. Lower the dust cover before operation.

#### NOTE:

- Dust extraction cannot be performed when making bevel cuts.



### Rip fence (optional accessory)

#### CAUTION:

- Always be sure that the tool is switched off and unplugged before installing or removing accessories.

#### 1) Straight cuts (Fig. 18, 19, 20 & 21)

When repeatedly cutting widths of 160 mm or less, use of the rip fence will assure fast, clean, straight cuts.

To install, insert the rip fence into the rectangular hole on the side of the tool base with the fence guide facing down. Slide the rip fence to the desired cutting width position, then tighten the bolt to secure it.

#### 2) Circular cuts (Fig. 22, 23, 24 & 25)

When cutting circles or arcs of 170 mm or less in radius, install the rip fence as follows.

Insert the rip fence into the rectangular hole on the side of the tool base with the fence guide facing up. Insert the circular guide pin through either of the two holes on the fence guide. Screw the threaded knob onto the pin to secure the pin.

Now slide the rip fence to the desired cutting radius, and tighten the bolt to secure it in place. Then move the tool base all the way forward.

#### NOTE:

- Always use blades No. B-17, B-18, B-26 or B-27 when cutting circles or arcs.

### Anti-splintering device for steel base (optional accessory) (Fig. 26)

For splinter-free cuts, the anti-splintering device can be used. To install the anti-splintering device, move the base all the way forward and insert it between the two protrusions of the base.

#### NOTE:

- The anti-splintering device cannot be used when making bevel cuts.

### Anti-splintering device for aluminum base (optional accessory) (Fig. 27)

For splinter-free cuts, the anti-splintering device can be used. To install the anti-splintering device, move the tool base all the way forward and fit it from the back of tool base. When you use the cover plate, install the anti-splintering device onto the cover plate.

#### CAUTION:

- The anti-splintering device cannot be used when making bevel cuts.

### Cover plate for aluminum base (optional accessory) (Fig. 28)

Use the cover plate when cutting decorative veneers, plastics, etc. It protects sensitive or delicate surfaces from damage. Fit it on the back of the tool base.

## MAINTENANCE

#### CAUTION:

- Always be sure that the tool is switched off and unplugged before attempting to perform inspection or maintenance.

To maintain product SAFETY and RELIABILITY, repairs, carbon brush inspection and replacement, any other maintenance or adjustment should be performed by Makita Authorized Service Centers, always using Makita replacement parts.

## ACCESSORIES

#### CAUTION:

- These accessories or attachments are recommended for use with your Makita tool specified in this manual. The use of any other accessories or attachments might present a risk of injury to persons. Only use accessory or attachment for its stated purpose.


If you need any assistance for more details regarding these accessories, ask your local Makita service center.

- Jig saw blades
- Hex wrench 3
- Rip fence (guide rule) set
- Anti-splintering device
- Hose (For vacuum cleaner)
- Cover plate (For aluminum base type)

Descriptif

1	Levier de sélection du type de coupe	10	Ergot	20	Guide parallèle (règle de guidage)
2	Gâchette	11	Guide	21	Avec base d'aluminium
3	Bouton de blocage	12	Base	22	Face du guide
4	Molette de réglage de la vitesse	13	Protecteur	23	Guide de garde
5	Tige porte-lame	14	Trait de coupe	24	Bouton fileté
6	Boulon	15	Bord	25	Broche
7	Clé hexagonale	16	Graduation	26	Dispositif anti-éclat
8	Lame	17	Trou d'amorce	27	Saillies
9	Galet	18	Tuyau	28	Base d'aluminium
		19	Avec base d'acier	29	Plaque de recouvrement

**SPECIFICATIONS**

Modèle		4326	4327	4328	4329
Longueur de course		18 mm	18 mm	18 mm	18 mm
Type de lame		Type B			
Capacité de coupe max.	Bois	65 mm	65 mm	65 mm	65 mm
	Acier doux	6 mm	6 mm	6 mm	6 mm
Nombre de courses/mn (min <sup>-1</sup> )		3 100	500 – 3 100	500 – 3 100	500 – 3 100
Longueur hors tout		217 mm (Avec base d'acier)	217 mm (Avec base d'acier)	217 mm	223 mm
		223 mm (Avec base d'aluminium)	223 mm (Avec base d'aluminium)		
Poids net		1,8 kg (Avec base d'acier)	1,8 kg (Avec base d'acier)	1,8 kg	1,9 kg
		1,9 kg (Avec base d'aluminium)	1,9 kg (Avec base d'aluminium)		
Niveau de sécurité		 II			

- Etant donné l'évolution constante de notre programme de recherche et de développement, les spécifications contenues dans ce manuel sont sujettes à modification sans préavis.

- Note : Les spécifications peuvent varier suivant les pays.

**Utilisations**

L'outil est conçu pour la coupe des matériaux de bois, de plastique et de métal. L'étendue de la gamme d'accessoires et de lames disponibles permet d'utiliser l'outil à des fins multiples et le rend tout particulièrement adéquat aux coupes curvilignes et circulaires.

**Alimentation**

L'outil ne devra être raccordé qu'à une alimentation de la même tension que celle qui figure sur la plaque signalétique, et il ne pourra fonctionner que sur un courant secteur monophasé. Réalisé avec une double isolation, il est conforme à la réglementation européenne et peut de ce fait être alimenté sans mise à la terre.

**Consignes de sécurité**

Pour votre propre sécurité, reportez-vous aux consignes de sécurité qui accompagnent l'outil.

**CONSIGNES DE SÉCURITÉ SPÉCIFIQUES**

**NE laissez PAS une impression de confort ou d'habitude de l'outil (acquise par une utilisation répétée) remplacer une adhérence stricte aux consignes de sécurité de la scie sauteuse. Si vous n'utilisez pas cet outil électrique de façon sûre et adéquate, vous courez un risque de blessure grave.**

1. **Saisissez les outils électriques par leurs surfaces de poigne isolées lorsque vous effectuez une opération au cours de laquelle l'outil tranchant peut entrer en contact avec des fils cachés ou avec son propre cordon d'alimentation.** Le contact avec un fil sous tension mettra les parties métalliques exposées de l'outil sous tension, causant un choc électrique chez l'utilisateur.
2. **Utilisez des dispositifs de serrage ou un autre moyen pratique pour fixer et soutenir la pièce sur une surface stable.** Si vous la tenez avec la main ou l'appuyez contre une partie du corps, la pièce sera instable et vous risquez d'en perdre la maîtrise.
3. **Utilisez toujours des lunettes de protection. Des lunettes ordinaires ou de soleil NE sont PAS des lunettes de protection.**

4. **Attention aux clous.** Avant l'utilisation, vérifiez la présence de clous sur la pièce et, le cas échéant, retirez-les.
5. **Ne pas scier d'éléments** dont le diamètre dépasse la capacité de coupe de la scie.
6. **Vérifiez s'il y a un espace suffisant** sous la pièce à travailler avant la coupe, afin que la lame ne frappe pas le plancher, l'établi, etc.
7. **Tenir fermement l'outil en main.**
8. **Vérifier que la lame n'est pas en contact** avec l'élément à scier avant de mettre la scie sauteuse en marche.
9. **N jamais approcher les mains des organes mobiles.**
10. **Ne pas laisser l'outil fonctionner tout seul.** Ne le mettre en marche que lorsque vous l'avez en main.
11. **Couper l'alimentation et attendre** que la lame soit complètement arrêtée avant de dégager la lame d'un élément partiellement scié.
12. **Ne jamais toucher directement la lame immédiatement après avoir scié** en raison des risques de brûlure.
13. **Ne faites pas fonctionner inutilement l'outil sans charge.**
14. **Certains matériaux contiennent des produits chimiques** qui peuvent être toxiques. Prenez les précautions nécessaires pour éviter que la poussière dégagée lors du travail ne soit inhalée ou n'entre en contact avec la peau. Suivez les consignes de sécurité du fournisseur du matériau.
15. **Utilisez toujours un masque antipoussières** ou un masque filtrant approprié au matériau à travailler et à l'outil utilisé.

### CONSERVEZ CES INSTRUCTIONS.

#### AVERTISSEMENT :

La MAUVAISE UTILISATION de l'outil ou l'ignorance des consignes de sécurité indiquées dans ce manuel d'instructions peut entraîner une blessure grave.

## DESCRIPTION DU FONCTIONNEMENT

#### ATTENTION :

- Assurez-vous toujours que l'outil est hors tension et débranché avant de l'ajuster ou de vérifier son fonctionnement.

#### Sélection du type de coupe (Pour les modèles 4328/4329) (Fig. 1)

L'outil peut effectuer des coupes orbitales ou des coupes en ligne droite (vers le haut et vers le bas). La coupe orbitale lance la lame vers l'avant sur la course de coupe et améliore grandement la vitesse de coupe.

Pour modifier le type de coupe, tournez simplement le levier de sélection du type de coupe sur la position correspondant au type de coupe voulu.

Reportez-vous au tableau pour sélectionner le type de coupe adéquat.

Position	Type de coupe	Applications
0	Coupe en ligne droite	Pour la coupe d'acier doux, d'acier inoxydable et de matériaux en plastique.
		Pour des coupes nettes dans du bois et du contreplaqué.
I	Coupe à petite orbite	Pour la coupe d'acier doux, d'aluminium et de bois dur.
II	Coupe à orbite moyenne	Pour la coupe de bois et de contreplaqué.
		Pour des coupes rapides dans de l'aluminium et de l'acier doux.
III	Coupe à grande orbite	Pour la coupe rapide de bois et de contreplaqué.

#### Interrupteur (Fig. 2)

#### ATTENTION :

- Avant de brancher l'outil, vérifiez toujours que la gâchette fonctionne correctement et qu'elle revient sur la position "OFF" quand vous la relâchez.

Pour mettre l'outil en marche, tirez simplement sur la gâchette. Relâchez la gâchette pour l'arrêter.

Pour un sciage continu, tirez sur la gâchette et enfoncez le bouton de blocage.

Pour arrêter l'outil quand il fonctionne en position bloquée, tirez à fond sur la gâchette puis relâchez-la.

#### Molette de réglage de la vitesse

#### (Pour les modèles 4327/4328/4329) (Fig. 3)

Vous pouvez régler la vitesse de l'outil sur toute valeur comprise entre 500 et 3 100 courses par minute en tournant la molette de réglage. La vitesse augmente quand vous tournez la molette vers le chiffre 6, et elle diminue quand vous tournez la molette vers le chiffre 1.

Pour sélectionner la vitesse qui convient en fonction du matériau, voyez le tableau. Toutefois, la vitesse qui convient peut varier en fonction du type ou de l'épaisseur du matériau. En général, des vitesses rapides permettront de couper les matériaux plus rapidement, mais cela réduira la durée de service de la lame.

Matériau à couper	Chiffre de la molette de réglage
Bois	5 – 6
Acier doux	3 – 6
Acier inoxydable	3 – 4
Aluminium	3 – 6
Matières plastiques	1 – 4

#### ATTENTION :

- Si l'outil est utilisé de manière continue à vitesse réduite sur une période prolongée, le moteur sera surchargé et chauffera.
- Vous ne pourriez pas tourner la molette de réglage de la vitesse plus loin que le chiffre 6 et le chiffre 1. Ne la tournez pas de force au-delà de ces chiffres, sinon elle risque de ne plus fonctionner.

## ASSEMBLAGE

#### ATTENTION :

- Assurez-vous toujours que l'outil est hors tension et débranché avant d'effectuer tout travail dessus.

### Pose et dépose de la lame de scie sauteuse (Fig. 4 et 5)

#### ATTENTION :

- Enlevez toujours les copeaux et autres corps étrangers qui adhèrent à la lame et/ou à la tige porte-lame. Sinon, la lame risque de ne pas être suffisamment serrée, ce qui pourrait provoquer de graves blessures.
- Ne touchez ni la lame ni la pièce travaillée immédiatement après l'opération ; elles peuvent être extrêmement chaudes et brûler votre peau.
- Serrez toujours la lame fermement. Une lame mal serrée risquerait de casser et d'entraîner une grave blessure.
- Utilisez uniquement des lames de type B. L'utilisation de lames de type autre que B risquerait de causer un serrage insuffisant de la lame et d'entraîner une grave blessure.

Pour installer la lame, desserrez le boulon sur le porte-lame en tournant dans le sens contraire des aiguilles d'une montre à l'aide de la clé hexagonale.

En orientant les dents de la lame vers l'avant, insérez la lame à fond dans le porte-lame. Assurez-vous que le bord arrière de la lame est bien aligné dans le rouleau. Serrez ensuite le boulon en tournant dans le sens des aiguilles d'une montre pour immobiliser la lame.

Pour retirer la lame, suivez la procédure d'installation en sens inverse.

#### NOTE :

- Lubrifiez de temps en temps le galet.

### Rangement de la clé hexagonale (Fig. 6)

Après l'utilisation de la clé hexagonale, rangez-la tel qu'indiqué sur l'illustration pour éviter de la perdre.

### Réglage du galet (Pour les modèles 4326/4327) (Fig. 7)

Desserrez le boulon au dos de la base de l'outil à l'aide de la clé hexagonale. Déplacez le guide de façon que le galet rentre légèrement en contact avec la lame. Puis, serrez le boulon pour fixer la base de l'outil et le guide.

#### NOTE :

- Lubrifiez de temps en temps le galet.

### Protecteur (Fig. 8)

#### ATTENTION :

- Portez toujours des lunettes de sécurité, même si l'outil fonctionne avec le protecteur abaissé.

Abaissez le protecteur pour éviter que les copeaux ne volent. Néanmoins, pour effectuer des coupes en biais, il faudra le relever à fond.

## UTILISATION

#### ATTENTION :

- Maintenez toujours la base de l'outil exactement au niveau du matériau. Sinon, vous risquez de briser la lame et de vous blesser grièvement.
- Faites avancer l'outil très lentement lors de la coupe de courbes ou de spirales. Le fait de forcer l'outil peut résulter en une surface de coupe oblique et entraîner le bris de la lame.

Mettez l'outil en marche alors que la lame ne touche à rien et attendez qu'elle ait atteint sa pleine vitesse. Puis, amenez la base en contact avec le matériau à scier, et déplacez normalement l'outil vers l'avant en suivant le trait marqué préalablement. (Fig. 9)

### Coupe en biseau

#### ATTENTION :

- Assurez-vous toujours que le contact est coupé et l'outil débranché avant d'incliner la base de l'outil.
- Avant d'effectuer une coupe en biais, relevez complètement le cache-poussière.

En inclinant la base de l'outil, vous pouvez effectuer des coupes en biseau sur tout angle compris entre 0° et 45° (vers la gauche ou la droite). (Fig. 10)

Desserrez le boulon qui se trouve à l'arrière de la base de l'outil à l'aide de la clé hexagonale. Déplacez la base de l'outil de façon que le boulon se trouve au centre de la fente en forme de croix de la base de l'outil. (Fig. 11)

Inclinez la base de l'outil de façon à obtenir l'angle de biseau voulu. L'angle de coupe en biseau est indiqué par une graduation en degrés sur le bord du carter du moteur. Serrez ensuite le boulon pour immobiliser la base. (Fig. 12)

### Sciage au ras d'un obstacle (Fig. 13)

Desserrez le boulon au dos de la base de l'outil à l'aide de la clé hexagonale, et reculez la base de l'outil à fond vers l'arrière. Puis, serrez le boulon pour fixer la base de l'outil.

### Découpes

Les découpes s'effectuent suivant deux méthodes, A ou B.

#### A) Perçage d'un trou d'amorce

Pour les découpes internes sans entaille d'amorce sur le bord du matériau, percez à trou d'amorce de 12 mm de diamètre ou plus. Insérez la lame dans ce trou pour commencer la découpe. (Fig. 14)

## B) Attaque en plein bois

Vous n'aurez pas besoin de percer un trou d'amorce ni de faire une entaille d'amorce si vous procédez délicatement comme suit.

1. Inclinez l'avant de l'outil vers l'avant sur le bord avant de la base, la lame étant placée juste au-dessus de la surface du matériau. (Fig. 15)
2. Appuyez sur l'outil de façon que le bord avant de la base ne bouge pas quand vous mettez l'outil en marche, et abaissez lentement et délicatement l'arrière de l'outil.
3. Lorsque la lame traverse le matériau, abaissez lentement la base de l'outil sur la surface du matériau.
4. Terminez la coupe normalement.

## Finition des bords (Fig. 16)

Pour équarrir les bords ou faire des ajustements de dimension, passez légèrement la lame sur les bords de coupe.

## Coupe de métal

Utilisez toujours un liquide de refroidissement (huile de coupe) pour couper du métal. Sinon, la lame s'usera très rapidement. Vous pouvez aussi enduire directement la face intérieure du matériau de graisse, au lieu d'utiliser un liquide de refroidissement.

## Collecte de poussière (Fig. 17)

Pour travailler en toute propreté avec cet outil, raccordez-le à un aspirateur Makita. Insérez le tuyau de l'aspirateur dans l'orifice au dos de l'outil. Abaissez le cache-poussière avant de commencer le travail.

### NOTE :

- La collecte de poussière n'est pas possible avec les coupes en biais.

## Guide parallèle (accessoire en option)

### ATTENTION :

- Assurez-vous toujours que le contact est coupé et l'outil débranché avant d'installer ou de retirer des accessoires.

### 1) Coupes droites (Fig. 18, 19, 20 et 21)

Pour couper régulièrement des largeurs égales ou inférieures à 160 mm, utilisez le guide parallèle pour obtenir des coupes rapides, nettes et droites.

Pour installer le guide parallèle, insérez-le dans l'orifice rectangulaire situé sur le côté de la base de l'outil, avec le guide parallèle tourné vers le bas. Positionnez le guide parallèle à la largeur de coupe voulue, puis vissez le boulon pour fixer le guide.

### 2) Coupes circulaires (Fig. 22, 23, 24 et 25)

Pour découper des arcs de cercle d'un rayon égal ou inférieur à 170 mm, installez le guide parallèle comme suit.

Insérez le guide parallèle dans l'orifice rectangulaire situé sur le côté de la base de l'outil, avec le guide parallèle tourné vers le haut. Insérez la goupille de guide circulaire dans l'un des deux trous du guide de garde. Vissez le boulon fileté sur la goupille pour fixer la goupille.

Puis, positionnez le guide parallèle sur le rayon de coupe voulu, et serrez le boulon pour fixer le guide. Ensuite, faites glisser la base de l'outil à fond vers l'avant.

### NOTE :

- Utilisez toujours des lames No. B-17, B-18, B-26 ou B-27 pour découper des cercles ou des arcs de cercle.

## Dispositif anti-éclat pour base d'acier (accessoire en option) (Fig. 26)

Vous pouvez utiliser le dispositif anti-éclat pour obtenir des coupes sans fente. Pour installer le dispositif anti-éclat, déplacez la base complètement vers l'avant et insérez le dispositif entre les deux parties saillantes de la base.

### NOTE :

L'utilisation du dispositif anti-éclat n'est pas possible lors des coupes en biseau.

## Dispositif anti-éclat pour base d'aluminium (accessoire en option) (Fig. 27)

L'utilisation du dispositif anti-éclat permet d'obtenir des coupes sans éclats. Pour l'installer, déplacez la base de l'outil complètement vers l'avant, puis installez le dispositif par l'arrière de la base de l'outil. Lorsque vous utilisez la plaque de recouvrement, installez le dispositif anti-éclat sur cette dernière.

### ATTENTION :

- Vous ne pouvez pas utiliser le dispositif anti-éclat pour les coupes en biais.

## Plaque de recouvrement pour base d'aluminium (accessoire en option) (Fig. 28)

Utilisez la plaque de recouvrement lors de la coupe des matériaux décoratifs de placage, de plastique, etc. Cette plaque protège contre les dommages les surfaces fragiles ou délicates. Installez-la par l'arrière de la base de l'outil.

## ENTRETIEN

### ATTENTION :

- Assurez-vous toujours que l'outil est hors tension et débranché avant d'y effectuer tout travail d'inspection ou d'entretien.

Pour maintenir la SÉCURITÉ et la FIABILITÉ du produit, les réparations, l'inspection et le remplacement des charbons, et tout autre travail d'entretien ou de réglage doivent être effectués dans un centre de service Makita agréé ou un centre de service de l'usine Makita, exclusivement avec des pièces de rechange Makita.

## ACCESSOIRES

### ATTENTION :

- Les accessoires ou pièces supplémentaires qui suivent sont recommandés pour l'utilisation avec l'outil Makita spécifié dans ce manuel. L'utilisation de tout autre accessoire ou pièce supplémentaire peut comporter un risque de blessure. Utilisez uniquement l'accessoire ou la pièce supplémentaire dans le but spécifié.

Pour obtenir plus de détails sur ces accessoires, contactez votre Centre d'Entretien local Makita.

- Lame de scie sauteuse
- Clé hexagonale 3
- Ensemble de guide parallèle (règle de guidage)
- Dispositif anti-éclat
- Tuyau (Pour l'aspirateur)
- Plaque de recouvrement (Pour outil avec base d'aluminium)

Übersicht

1	Schnittbewegung-Umschalthebel	12	Grundplatte	22	Führungsfläche
2	Schalter	13	Schutzhaube	23	Anschlagführung
3	Schalterarretierung	14	Schnittlinie	24	Gewindeknopf
4	Hubzahl-Stellrad	15	Kante	25	Stift
5	Sägeblattaufnahme	16	Teilstriche	26	Spanreißschutz
6	Schraube	17	Vorböhrung	27	Führungsschiene
7	Inbusschlüssel	18	Schlauch	28	Aluminium-Grundplatte
8	Sägeblatt	19	Typ mit Stahl-Grundplatte	29	Gleitplatte
9	Führungsrolle	20	Parallelanschlag (führungslinealsatz)		
10	Haken	21	Typ mit Aluminium-Grundplatte		
11	Klemmstück				

**TECHNISCHE DATEN**

Modell		4326	4327	4328	4329
Hubhöhe		18 mm	18 mm	18 mm	18 mm
Sägeblatttyp		Typ B			
Maximale Schnitttiefe	Holz	65 mm	65 mm	65 mm	65 mm
	Weichstahl	6 mm	6 mm	6 mm	6 mm
Hubzahl pro Minute (min <sup>-1</sup> )		3 100	500 – 3 100	500 – 3 100	500 – 3 100
Gesamtlänge	217 mm (Typ mit Stahl-Grundplatte)	217 mm (Typ mit Stahl-Grundplatte)	217 mm (Typ mit Aluminium-Grundplatte)	217 mm	223 mm
	223 mm (Typ mit Aluminium-Grundplatte)	223 mm (Typ mit Aluminium-Grundplatte)			
Nettogewicht	1,8 kg (Typ mit Stahl-Grundplatte)	1,8 kg (Typ mit Stahl-Grundplatte)	1,9 kg (Typ mit Aluminium-Grundplatte)	1,8 kg	1,9 kg
	1,9 kg (Typ mit Aluminium-Grundplatte)	1,9 kg (Typ mit Aluminium-Grundplatte)			
Sicherheitsklasse					

- Wir behalten uns vor, Änderungen im Zuge der Entwicklung und des technischen Fortschritts ohne vorherige Ankündigung vorzunehmen.
- Hinweis: Die technischen Daten können von Land zu Land abweichen.

**Vorgesehene Verwendung**

Diese Maschine ist für das Sägen von Holz, Kunststoff und Metall vorgesehen. Dank des umfangreichen Zubehör- und Sägeblattprogramms kann die Maschine für viele Zwecke eingesetzt werden und eignet sich ideal für Bogen- oder Kreisschnitte.

**Netzanschluß**

Die Maschine darf nur an die auf dem Typenschild angegebene Netzspannung angeschlossen werden und arbeitet nur mit Einphasen-Wechselspannung. Sie ist entsprechend den Europäischen Richtlinien doppelt schutzisoliert und kann daher auch an Steckdosen ohne Erdanschluß betrieben werden.

**Sicherheitshinweise**

Lesen und beachten Sie diese Hinweise, bevor Sie das Gerät benutzen.

**SPEZIELLE SICHERHEITSREGELN**

**Lassen Sie sich NICHT durch Bequemlichkeit oder Vertrautheit mit dem Produkt (durch wiederholten Gebrauch erworben) von der strikten Einhaltung der Sicherheitsregeln für die Stichsäge abhalten. Wenn Sie dieses Elektrowerkzeug auf unsichere oder unsachgemäße Weise benutzen, können Sie schwere Verletzungen erleiden.**

1. **Halten Sie Elektrowerkzeuge nur an den isolierten Griffflächen, wenn Sie Arbeiten ausführen, bei denen die Gefahr besteht, dass verborgene Kabel oder das eigene Kabel kontaktiert werden.** Bei Kontakt mit einem stromführenden Kabel werden die freiliegenden Metallteile der Maschine ebenfalls stromführend, so dass der Benutzer einen elektrischen Schlag erleiden kann.
2. **Verwenden Sie Klemmen oder eine andere praktische Methode, um das Werkstück auf einer stabilen Unterlage zu sichern und abzustützen.** Wenn Sie das Werkstück nur von Hand oder gegen Ihren Körper halten, befindet es sich in einer instabilen Lage, die zum Verlust der Kontrolle führen kann.
3. **Tragen Sie stets eine Sicherheits- oder Schutzbrille. Eine gewöhnliche Brille oder Sonnenbrille ist KEIN Ersatz für eine Sicherheitsbrille.**

4. Schneiden Sie keine Nägel durch. Untersuchen Sie das Werkstück auf Nägel, und entfernen Sie diese vor der Bearbeitung.
5. Schneiden Sie keine übergroßen Werkstücke.
6. Vergewissern Sie sich vor dem Sägen, dass genügend Freiraum hinter dem Werkstück vorhanden ist, damit das Sägeblatt nicht gegen eine harte Oberfläche, wie Fußboden, Werkbank usw., stößt.
7. Halten Sie die Maschine sicher in der Hand.
8. Achten Sie stets darauf, daß das Sägeblatt nicht das Werkstück berührt, bevor die Stichsäge eingeschaltet wird.
9. Halten Sie während des Betriebs die Hände von den sich bewegenden Teilen der Maschine fern.
10. Die Maschine nicht im eingeschalteten Zustand aus der Hand legen. Die Benutzung ist nur in handgehaltener Weise vorgesehen.
11. Das Sägeblatt erst dann vom Werkstück entfernen, nachdem die Maschine abgeschaltet wurde und das Sägeblatt zum Stillstand gekommen ist.
12. Berühren Sie weder Sägeblatt noch Werkstück unmittelbar nach dem Schneiden; beide können sehr heiß sein und Verbrennungen verursachen.
13. Lassen Sie das Werkzeug nicht unnötig im Leerlauf laufen.
14. Manche Materialien können giftige Chemikalien enthalten. Treffen Sie Vorsichtsmaßnahmen, um das Einatmen von Arbeitsstaub und Hautkontakt zu verhüten. Befolgen Sie die Sicherheitsdaten des Materialherstellers.
15. Verwenden Sie stets die korrekte Staubschutz- oder Atemmaske für das jeweilige Material und die Anwendung.

**BEWAHREN SIE DIESE HINWEISE SORGFÄLTIG AUF.**

**WARNUNG:**  
**MISSBRAUCH** oder Missachtung der Sicherheitsvorschriften in dieser Anleitung können schwere Verletzungen verursachen.

**FUNKTIONSBESCHREIBUNG**

VORSICHT:

- Vergewissern Sie sich vor jeder Einstellung oder Funktionsprüfung der Maschine stets, dass sie ausgeschaltet und vom Stromnetz getrennt ist.

**Wahl der Schnittbewegung (Für Modelle 4328/4329) (Abb. 1)**

Diese Maschine kann mit Pendelhub oder Linearhub (gerade Auf-Ab-Bewegung) betrieben werden. Bei Pendelhub wird das Sägeblatt im Schnitthub vorwärts geschoben, wodurch erheblich höhere Schnittgeschwindigkeiten möglich sind.

Zum Umschalten der Schnittbewegung drehen Sie einfach den Umschalthebel auf die Position der gewünschten Schnittbewegung.

Wählen Sie die geeignete Schnittbewegung anhand der Tabelle aus.

Position	Schnittbewegung	Anwendungen
0	Geradlinige Schnittbewegung	Zum Schneiden von Weichstahl, Edelstahl und Kunststoff.
		Für saubere Schnitte in Holz und Sperrholz.
I	Kleiner Pendelhub	Zum Schneiden von Weichstahl, Aluminium und Hartholz.
II	Mittlerer Pendelhub	Zum Schneiden von Holz und Sperrholz.
		Für schnelles Schneiden von Aluminium und Weichstahl.
III	Großer Pendelhub	Für schnelles Schneiden von Holz und Sperrholz.

**Schalterfunktion (Abb. 2)**

VORSICHT:

- Überprüfen Sie vor dem Anschließen der Maschine an das Stromnetz stets, ob der Schalter ordnungsgemäß funktioniert und beim Loslassen in die "AUS" -Stellung zurückkehrt.

Zum Einschalten der Maschine einfach den Schalter drücken. Zum Ausschalten den Schalter loslassen.

Für Dauerbetrieb den Schalter drücken, und dann die Schalterarretierung hineindrücken.

Zum Ausrasten der Schalterarretierung den Elektronikschalter ganz hineindrücken und dann loslassen.

**Hubzahl-Stellrad (Für Modelle 4327/4328/4329) (Abb. 3)**

Die Hubzahl kann durch Drehen des Hubzahl-Stellrads zwischen 500 und 3.100 Hüben pro Minute eingestellt werden. Auf dem Hubzahl-Stellrad sind die Positionen 1 (niedrigste Hubzahl) bis 6 (höchste Hubzahl) markiert.

Hinweise auf die richtige, werkstoffgerechte Hubzahl entnehmen Sie der Tabelle. Die geeignete Hubzahl kann jedoch je nach Art und Dicke des Werkstücks unterschiedlich sein. Höhere Hubzahlen ermöglichen im allgemeinen schnelleres Sägen von Werkstücken, bewirken aber auch eine Verkürzung der Lebensdauer des Sägeblatts.

Werkstoff	Hubzahl-Einstellung
Holz	5 – 6
Weichstahl	3 – 6
Edelstahl	3 – 4
Aluminium	3 – 6
Kunststoff	1 – 4

#### VORSICHT:

- Wird die Maschine über längere Zeitspannen im Dauerbetrieb mit niedriger Drehzahl betrieben, wird der Motor überlastet und überhitzt.
- Das Hubzahl-Stellrad läßt sich nur bis zur Position 6 vor- und bis zur Position 1 zurückdrehen. Drehen Sie es nicht gewaltsam über die Position 6 oder 1 hinaus, weil sonst eine genaue Einstellung der Hubzahl nicht mehr möglich ist.

## MONTAGE

#### VORSICHT:

- Vergewissern Sie sich vor der Ausführung von Arbeiten an der Maschine stets, dass sie ausgeschaltet und vom Stromnetz getrennt ist.

### Montage/Demontage des Sägeblatts

#### (Abb. 4 u. 5)

#### VORSICHT:

- Säubern Sie Sägeblatt und/oder Sägeblatthalter stets von anhaftenden Spänen oder Fremdkörpern. Anderenfalls besteht die Gefahr, daß das Sägeblatt nicht richtig sitzt, was zu schweren Verletzungen führen kann.
- Vermeiden Sie eine Berührung des Sägeblatts oder des Werkstücks unmittelbar nach der Bearbeitung, weil sie dann noch sehr heiß sind und Hautverbrennungen verursachen können.
- Ziehen Sie das Sägeblatt stets fest an. Unzureichendes Anziehen des Sägeblatts kann zu Sägeblattbruch oder schweren Körperverletzungen führen.
- Verwenden Sie nur Sägeblätter des Typs B. Die Verwendung von anderen Sägeblättern außer solchen des Typs B verursacht unzureichende Befestigung des Sägeblatts, was zu schweren Körperverletzungen führen kann.

Zum Montieren des Sägeblatts die Schraube am Sägeblatthalter mit dem Inbusschlüssel durch Drehen entgegen dem Uhrzeigersinn lösen.

Das Sägeblatt mit den Zähnen nach vorn weisend bis zum Anschlag in den Sägeblatthalter einführen. Vergewissern Sie sich, dass die Hinterkante des Sägeblatts in der Rolle sitzt. Dann die Schraube zur Sicherung des Sägeblatts im Uhrzeigersinn festziehen.

Zum Demontieren des Sägeblatts ist das Montageverfahren umgekehrt anzuwenden.

#### HINWEIS:

- Schmieren Sie die Führungsrolle von Zeit zu Zeit.

### Inbusschlüssel-Aufbewahrung (Abb. 6)

Der Inbusschlüssel kann an der in der Abbildung gezeigten Stelle aufbewahrt werden, damit er nicht verloren geht.

## Einstellen der Führungsrolle (Für Modelle 4326/4327) (Abb. 7)

Lösen Sie die Schraube auf der Rückseite der Grundplatte mit dem Innensechskantschlüssel. Verschieben Sie das Klemmstück, so daß die Rolle das Sägeblatt leicht berührt. Ziehen Sie dann die Schraube zur Befestigung von Grundplatte und Klemmstück an.

#### HINWEIS:

- Die Führungsrolle von Zeit zu Zeit schmieren.

### Schutzhaube (Abb. 8)

#### VORSICHT:

- Tragen Sie stets eine Schutzbrille, wenn Sie die Stichsäge mit abgesenkter Schutzhaube betreiben.

Senken Sie die Schutzhaube ab, um Herausfliegen von Spänen zu verhüten. Zum Ausführen von Gehrungsschnitten muß sie jedoch ganz angehoben werden.

## BETRIEB

#### VORSICHT:

- Setzen Sie die Grundplatte der Stichsäge stets flach auf das Werkstück auf. Anderenfalls besteht die Gefahr eines Sägeblattbruchs, was zu schweren Verletzungen führen kann.
- Schieben Sie die Maschine beim Kurvenschneiden oder Dekupieren sehr langsam vor. Gewaltames Vorschieben der Maschine kann zu einer schiefen Schnittfläche oder Sägeblattbruch führen.

Schalten Sie die Maschine ein, ohne dass das Sägeblatt Kontakt hat, und warten Sie, bis sie ihre volle Hubzahl erreicht. Setzen Sie die Grundplatte flach auf das Werkstück, und bewegen Sie die Maschine entlang der vorher markierten Schnittlinie sachte vorwärts. (Abb. 9)

### Gehrungsschnitte

#### VORSICHT:

- Vergewissern Sie sich vor dem Kippen der Grundplatte stets, daß die Maschine ausgeschaltet und vom Netz getrennt ist.
- Heben Sie die Schutzhaube bei Gehrungsschnitten bis zum Anschlag.

Durch Neigen der Grundplatte können Gehrungsschnitte in jedem Winkel zwischen 0° und 45° (links oder rechts) ausgeführt werden. (Abb. 10)

Lösen Sie die Schraube an der Rückseite der Grundplatte mit dem Inbusschlüssel. Verschieben Sie die Grundplatte so, daß sich die Innensechskantschraube in der Mitte des Kreuzschlitzes in der Grundplatte befindet. (Abb. 11)

Neigen Sie die Grundplatte, bis der gewünschte Winkel erreicht ist. Die Kante des Motorgehäuses kennzeichnet den Neigungswinkel mit Teilstrichen. Dann die Schraube zur Befestigung der Grundplatte festziehen. (Abb. 12)

### Randnahe Schnitte (Abb. 13)

Lösen Sie die Innensechskantschraube an der Unterseite der Maschine und schieben Sie die Grundplatte bis zum Anschlag zurück. Ziehen Sie anschließend die Innensechskantschraube zur Befestigung der Grundplatte wieder an.



## Ausschnitte

Es gibt zwei Möglichkeiten, Ausschnitte durchzuführen:

### A) Vorbohren

Bei Innenausschnitten ohne Zuführschnitt von einer Kante aus machen Sie eine Vorbohrung von ca. 12 mm Durchmesser. Das Sägeblatt in diese Öffnung einführen und mit dem Sägen beginnen. **(Abb. 14)**

### B) Tauchschnitte

Um Schnitte ohne Vorbohren oder Zuführschnitt auszuführen, gehen Sie wie folgt vor:

1. Die Stichsäge auf der Vorderkante der Grundplatte kippen, so daß die Sägeblattspitze dicht über der Oberfläche des Werkstücks liegt. **(Abb. 15)**
2. Druck auf die Stichsäge ausüben, damit die Vorderkante der Grundplatte nicht verrutscht, wenn die Stichsäge eingeschaltet und das hintere Ende langsam abgesenkt wird.
3. Sobald das Sägeblatt in das Werkstück eindringt, die Grundplatte langsam auf die Oberfläche des Werkstücks absenken.
4. Den Schnitt in gewohnter Weise beenden.

## Bearbeitung von Kanten (Abb. 16)

Um Kanten nachzuarbeiten oder Maßkorrekturen vorzunehmen, das Sägeblatt leicht an den Schnittkanten entlangführen.

## Schneiden von Metall

Beim Schneiden von Metall stets ein geeignetes Kühlmittel (Schneidöl) verwenden. Nichtbeachtung verursacht erheblichen Verschleiß des Sägeblatts. Anstelle von Kühlmittel kann auch die Unterseite des Werkstücks eingefettet werden.

## Staubabsaugung (Abb. 17)

Durch den Anschluß dieser Maschine an ein Absauggerät wird staubarmes Arbeiten ermöglicht. Schließen Sie den Schlauch eines Absauggerätes an den Absaugstutzen an. Senken Sie die Schutzhaube vor dem Betrieb ab.

### HINWEIS:

- Bei Gehrungsschnitten ist keine Staubabsaugung möglich.

## Parallelanschlag (Sonderzubehör)

### VORSICHT:

- Vergewissern Sie sich vor dem Montieren oder Demonstrieren von Zubehör stets, daß die Maschine ausgeschaltet und vom Netz getrennt ist.

### 1) Gerade Schnitte (Abb. 18, 19, 20 u. 21)

Bei wiederholtem Schneiden von Breiten kleiner als 160 mm gewährleistet der Parallelanschlag schnelle, saubere und gerade Schnitte.

Führen Sie den Parallelanschlag in die rechteckige Öffnung an der Seite der Grundplatte ein, so daß die Anschlagführung nach unten gerichtet ist. Schieben Sie den Parallelanschlag zur Position der gewünschten Schnittbreite, und ziehen Sie dann die Schraube zur Befestigung an.

### 2) Kreisschnitte (Abb. 22, 23, 24 u. 25)

Um Kreis- oder Bogenschnitte von weniger als 170 mm Radius durchzuführen, montieren Sie den Parallelanschlag wie folgt.

Führen Sie den Parallelanschlag in die rechteckige Öffnung an der Seite der Grundplatte ein, so daß die Anschlagführung nach oben gerichtet ist. Setzen Sie den Dorn des Kreisschneiders in eine der beiden Bohrungen in der Anschlagführung ein, und sichern Sie ihn mit dem Gewindeknopf.

Schieben Sie nun den Parallelanschlag zu dem gewünschten Schnittradius, und ziehen Sie die Schraube zur Befestigung an. Schieben Sie dann die Grundplatte der Maschine ganz nach vorn.

### HINWEIS:

- Verwenden Sie stets die Sägeblätter Nr. B-17, B-18, B-26 oder B-27 für kreis- oder bogenförmige Schnitte.

## Splitterschutz für Stahl-Grundplatte (Sonderzubehör) (Abb. 26)

Für splitterfreie Schnitte kann der Splitterschutz verwendet werden. Zum Montieren des Splitterschutzes die Grundplatte ganz nach vorn schieben, und die Vorrichtung zwischen die zwei Vorsprünge der Grundplatte einführen.

### HINWEIS:

- Bei der Durchführung von Neigungsschnitten kann der Splitterschutz nicht verwendet werden.

## Splitterschutz für Aluminium-Grundplatte (Sonderzubehör) (Abb. 27)

Um splitterfreie Schnitte auszuführen, empfiehlt sich die Verwendung des Spanreißschutzes. Schieben Sie die Grundplatte bis zum Anschlag nach vorne, und montieren Sie den Spanreißschutz von der Unterseite der Grundplatte. Wenn Sie die Gleitplatte verwenden, montieren Sie den Spanreißschutz auf die Gleitplatte.

### VORSICHT:

- Bei Gehrungsschnitten kann der Spanreißschutz nicht verwendet werden.

## Abdeckplatte für Aluminium-Grundplatte (Sonderzubehör) (Abb. 28)

Verwenden Sie die Gleitplatte zum Schneiden von dekorativen Furnieren, Kunststoffen usw. Sie schützt empfindliche oder feine Oberflächen vor Beschädigung. Passen Sie die Gleitplatte auf die Unterseite der Grundplatte.

## WARTUNG

### VORSICHT:

- Denken Sie vor der Durchführung von Überprüfungen oder Wartungsarbeiten stets daran, die Maschine auszuschalten und vom Stromnetz zu trennen.

Um die SICHERHEIT und ZUVERLÄSSIGKEIT dieses Produkts aufrechtzuerhalten, sollten Reparaturen, Überprüfung und Austausch der Kohlebürsten und andere Wartungs- oder Einstellarbeiten nur von Makita-Kundendienstzentren unter ausschließlicher Verwendung von Makita-Originalersatzteilen ausgeführt werden.

## ZUBEHÖR

### VORSICHT:

- Die folgenden Zubehörteile oder Vorrichtungen werden für den Einsatz mit der in dieser Anleitung beschriebenen Makita-Maschine empfohlen. Die Verwendung anderer Zubehörteile oder Vorrichtungen kann eine Verletzungsgefahr darstellen. Verwenden Sie Zubehörteile oder Vorrichtungen nur für ihren vorgesehenen Zweck.


Wenn Sie weitere Einzelheiten bezüglich dieser Zubehörteile benötigen, wenden Sie sich bitte an Ihre Makita-Kundendienststelle.

- Sägeblatt
- Inbusschlüssel 3
- Parallelanschlagsatz (führunglinealsatz)
- Spanreißschutz
- Schlauch (Für Staubsauger)
- Gleitplatte (Für Typ mit Aluminium-Grundplatte)

### Visione generale

1	Leva di cambio modo di taglio	11	Fermo	21	Tipo base alluminio
2	Grilletto interruttore	12	Base	22	Guida laterale
3	Bottone di bloccaggio	13	Coperchio antipolvere	23	Guida riparo
4	Ghiera di regolazione velocità	14	Linea di taglio	24	Pomello filettato
5	Portalama	15	Bordo	25	Perno
6	Bullone	16	Graduazioni	26	Dispositivo antisceglimento
7	Chiave esagonale	17	Foro iniziale	27	Sporgenze
8	Lama	18	Manicotto	28	Base alluminio
9	Rullino	19	Tipo base acciaio	29	Piastra di protezione
10	Gancio	20	Guida pezzo (righello di guida)		

### DATI TECNICI

Modello		4326	4327	4328	4329
Lunghezza corsa		18 mm	18 mm	18 mm	18 mm
Tipo lama		Tipo B			
Capacità massima di taglio	Legno	65 mm	65 mm	65 mm	65 mm
	Acciaio dolce	6 mm	6 mm	6 mm	6 mm
Corse al minuto (min <sup>-1</sup> )		3.100	500 – 3.100	500 – 3.100	500 – 3.100
Lunghezza totale		217 mm (Tipo base acciaio)	217 mm (Tipo base acciaio)	217 mm	223 mm
		223 mm (Tipo base alluminio)	223 mm (Tipo base alluminio)		
Peso netto		1,8 kg (Tipo base acciaio)	1,8 kg (Tipo base acciaio)	1,8 kg	1,9 kg
		1,9 kg (Tipo base alluminio)	1,9 kg (Tipo base alluminio)		
Classe di sicurezza		 /II			

- Per il nostro programma di ricerca e sviluppo continui, i dati tecnici sono soggetti a modifiche senza preavviso.
- Nota: I dati tecnici potrebbero differire a seconda del paese di destinazione del modello.

#### Utilizzo previsto

L'utensile va usato per il taglio di legno, plastica e materiali metallici. Grazie alla vasta gamma di accessori e lame, l'utensile può essere usato in svariate applicazioni ed è particolarmente adatto per praticare tagli curvi o circolari.

#### Alimentazione

L'utensile deve essere collegato ad una presa di corrente con la stessa tensione indicata sulla targhetta del nome, e può funzionare soltanto con la corrente alternata monofase. Esso ha un doppio isolamento in osservanza alle norme europee, per cui può essere usato con le prese di corrente sprovviste della messa a terra.

#### Consigli per la sicurezza

Per la vostra sicurezza, riferitevi alle accluse istruzioni per la sicurezza.

### SPECIFICHE REGOLE DI SICUREZZA

**NON lasciare che la comodità o la familiarità con il prodotto (acquisita con l'uso ripetuto) sostituisca la stretta osservanza delle norme di sicurezza per il seghetto alternativo. Se si usa questo utensile elettrico in modo insicuro o sbagliato, c'è pericolo di seri infortuni.**

1. **Tenere gli utensili elettrici per le superfici di presa isolate quando si eseguono operazioni in cui l'utensile da taglio potrebbe fare contatto con fili elettrici nascosti o con il suo stesso cavo di alimentazione.** Il contatto con un filo elettrico "sotto tensione" mette "sotto tensione" le parti metalliche esposte dell'utensile, dando una scossa all'operatore.
2. **Usare morse od altri modi pratici per fissare e supportare il pezzo su una superficie stabile.** Se lo si tiene in mano o contro il proprio corpo, il pezzo diventa instabile e potrebbe causare la perdita di controllo.
3. **Usare sempre occhiali di sicurezza o occhialoni. I normali occhiali o gli occhiali da sole NON sono occhiali di sicurezza.**
4. **Evitare di tagliare chiodi. Prima di iniziare la lavorazione, ispezionare il pezzo ed estrarne i chiodi eventualmente presenti.**

5. Non tagliare pezzi che superano la capacità dell'utensile.
6. Accertare che dietro il pezzo da tagliare vi sia uno spazio libero sufficiente a consentire che la lama non colpisca il pavimento, il banco di lavoro, ecc.
7. Tenere l'utensile ben saldo.
8. Assicurarsi che la lama non sia a contatto con il pezzo da lavorare prima di mettere in moto l'utensile.
9. Tenere le mani lontano da parti in movimento.
10. Non lasciare l'utensile in moto a vuoto. Mettere in moto solamente quando si tiene l'utensile bene stretto in mano.
11. Prima di ritirare la lama dal pezzo in lavorazione staccare la corrente ed aspettare che la lama si fermi completamente.
12. Non toccare la lama o il pezzo in lavorazione subito dopo l'operazione; potrebbero essere estremamente caldi e causare ustioni.
13. Non far funzionare inutilmente l'utensile a vuoto.
14. Alcuni materiali contengono sostanze chimiche che potrebbero essere tossiche. Fare attenzione per evitare l'inalazione o il contatto con la pelle. Osservare le precauzioni del produttore del materiale.
15. Usare sempre la mascherina antipolvere/respiratore adatti al materiale e all'applicazione con cui si lavora.

### CONSERVATE QUESTE ISTRUZIONI.

#### ATTENZIONE:

L'utilizzo SBAGLIATO o la mancata osservanza delle norme di sicurezza di questo manuale di istruzioni potrebbero causare lesioni serie.

## DESCRIZIONE DEL FUNZIONAMENTO

#### ATTENZIONE:

- Accertarsi sempre che l'utensile sia spento e staccato dalla presa di corrente prima di regolarlo o di controllare il suo funzionamento.

#### Selezione del modo di taglio (Modelli 4328/4329) (Fig. 1)

Questo utensile può essere fatto funzionare nel modo di taglio orbitale o in linea retta (su e giù). Il modo di taglio orbitale spinge la lama in avanti nella corsa di taglio e aumenta grandemente la velocità di taglio.

Per cambiare il modo di taglio, girare semplicemente la leva di cambio modo di taglio sulla posizione di taglio desiderata.

Per selezionare l'azione di taglio appropriata, vedere la tabella.

Posizione	Modo di taglio	Applicazioni
0	Linea retta	Per tagliare l'acciaio dolce, l'acciaio inossidabile e la plastica.
		Per il taglio pulito del legno e del compensato.
I	Orbita piccola	Per tagliare l'acciaio dolce, l'alluminio e il legno duro.
II	Orbita media	Per tagliare il legno e il compensato.
		Per tagliare velocemente l'alluminio e l'acciaio dolce.
III	Orbita grande	Per tagliare velocemente il legno e il compensato.

#### Funzionamento dell'interruttore (Fig. 2)

#### ATTENZIONE:

- Prima di collegare l'utensile alla rete, accertarsi sempre che il grilletto interruttore funzioni correttamente e che torni sulla posizione "OFF" quando viene rilasciato.

Per mettere in moto l'utensile, schiacciare semplicemente il grilletto interruttore. Rilasciarlo per fermarlo.

Per il funzionamento continuo, schiacciare il grilletto interruttore e spingere poi dentro il bottone di bloccaggio. Per fermare l'utensile dalla posizione di bloccaggio, schiacciare completamente il grilletto interruttore e rilasciarlo.

#### Ghiera di regolazione velocità (Modelli 4327/4328/4329) (Fig. 3)

La velocità dell'utensile può essere regolata liberamente tra i 500 e i 3.100 giri al minuto girando la ghiera di regolazione. Le velocità più alte si ottengono girando la ghiera nella direzione del numero 6, e quelle più basse girandola nella direzione del numero 1.

Per selezionare la velocità corretta per il pezzo da tagliare, riferirsi alla tabella. La velocità appropriata potrebbe però differire secondo il tipo e lo spessore del pezzo da lavorare. Generalmente, le velocità più alte consentono di tagliare i pezzi da lavorare più velocemente, ma in questo modo la vita di servizio della lama si riduce.

Pezzo da tagliare	Numero sulla ghiera di regolazione
Legno	5 – 6
Acciaio dolce	3 – 6
Acciaio inossidabile	3 – 4
Alluminio	3 – 6
Plastica	1 – 4

#### ATTENZIONE:

- Se si fa funzionare continuamente l'utensile alle basse velocità per un lungo periodo di tempo, si causa il sovraccarico del motore e il suo surriscaldamento.
- La ghiera di regolazione della velocità può essere girata in avanti soltanto fino a 6 e indietro fino a 1. Non forzarla oltre 6 o 1, perché altrimenti potrebbe diventare inutilizzabile.

## MONTAGGIO

#### ATTENZIONE:

- Accertarsi sempre che l'utensile sia spento e staccato dalla presa di corrente prima di qualsiasi intervento su di esso.

### Installazione e rimozione della lama (Fig. 4 e 5)

#### ATTENZIONE:

- Togliere sempre i trucioli e le sostanze estranee attaccate alla lama e/o portalama. Questa inosservanza potrebbe causare un serraggio insufficiente della lama con pericolo di ferite gravi.
- Non toccare la lama o il pezzo tagliato subito dopo l'uso dell'utensile, in quanto potrebbero essere estremamente caldi e provocare ustioni.
- Fissare sempre saldamente la lama. Il suo serraggio insufficiente potrebbe causarne la rottura o gravi lesioni personali.
- Usare soltanto le lame del tipo B. L'utilizzo di lame diverse dal tipo B causa il loro serraggio insufficiente con pericolo di gravi lesioni personali.

Per installare la lama, allentare sul portalama il bullone in senso antiorario usando una chiave esagonale.

Con i denti della lama rivolti in avanti, inserire la lama nel portalama finché non può andare più oltre. Accertarsi che il bordo posteriore della lama entri nel rullo. Stringere poi il bullone in senso orario per fissare la lama.

Per rimuovere la lama, seguire il procedimento opposto di installazione.

#### NOTA:

- Lubrificare ogni tanto il rullino.

### Conservazione della chiave esagonale (Fig. 6)

Quando non viene usata, conservare la chiave esagonale come mostrato in figura, per evitare che vada persa.

## Regolazione del rullino (Modelli 4326/4327)

### (Fig. 7)

Allentare il bullone sulla parte posteriore della base dell'utensile usando la chiave esagonale. Spostare il fermo in modo che il rullino faccia leggermente contatto con la lama. Stringere poi il rullino per fissare la base dell'utensile e il fermo.

#### NOTA:

- Lubrificare ogni tanto il rullino.

### Coperchio antipolvere (Fig. 8)

#### ATTENZIONE:

- Portare sempre gli occhiali di protezione, anche utilizzando l'utensile con il coperchio antipolvere abbassato.

Abbassare il coperchio antipolvere per evitare che volino via schegge. Per i tagli inclinati si deve però sollevarlo completamente.

## FUNZIONAMENTO

#### ATTENZIONE:

- Tenere sempre la base dell'utensile a livello con il pezzo da lavorare. Questa inosservanza potrebbe causare la rottura della lama con pericolo di ferite gravi.
- Far avanzare molto lentamente l'utensile per il taglio delle curve o volute. Forzando l'utensile si potrebbe causare una superficie di taglio storta e danneggiare la lama.

Accendere l'utensile senza che la lama faccia contatto, e aspettare che essa raggiunga la velocità massima. Posare poi la base piana sul pezzo da lavorare e spingerla delicatamente in avanti seguendo la linea di taglio fatta precedentemente. (Fig. 9)

### Tagli inclinati

#### ATTENZIONE:

- Accertarsi sempre che l'utensile sia spento e staccato dalla presa di corrente prima di installare o di rimuovere la lama.
- Alzare completamente il coperchio antipolvere prima di fare i tagli inclinati.

Con la base dell'utensile inclinata, è possibile praticare tagli inclinati a qualsiasi angolazione tra 0° e 45° (a sinistra o a destra). (Fig. 10)

Allentare il bullone sul retro della base servendosi della chiave esagonale. Spostare la base dell'utensile in modo che il bullone sia posizionato al centro della fessura a forma di croce sulla base dell'utensile. (Fig. 11)

Inclinare la base fino ad ottenere l'angolo di inclinazione desiderato. Il bordo dell'alloggiamento del motore indica l'angolo di smusso con graduazioni. Stringere poi il bullone per fissare la base. (Fig. 12)

### Tagli frontali della stessa altezza (Fig. 13)

Allentare il bullone sulla parte posteriore della base dell'utensile usando la chiave esagonale, e spostare poi completamente indietro la base. Stringere poi il bullone per fissare la base dell'utensile.

## Sfinestrature

Le sfinestrature possono essere fatte con i due metodi A e B.

### A) Trapanazione di un foro iniziale

Per le sfinestrature interne senza un taglio di ingresso dal bordo, trapanare un foro iniziale di 12 mm o più di diametro. Per cominciare a tagliare, inserire la lama in questo foro. (Fig. 14)

### B) Taglio a tufo

Se si procede con cura come segue, non è necessario trapanare un foro iniziale o fare un taglio di ingresso.

1. Inclinare in su l'utensile sul bordo anteriore della base, con la punta della lama posizionata subito sopra la superficie del pezzo da lavorare. (Fig. 15)
2. Esercitare una pressione sull'utensile in modo che il bordo anteriore della base non si muova quando lo si accende e si abbassa poi delicatamente e lentamente l'estremità posteriore della base.
3. Mentre la lama fora il pezzo da lavorare, abbassare lentamente la base dell'utensile sulla superficie del pezzo da lavorare.
4. Completare il taglio nel modo normale.

### Bordi di finitura (Fig. 16)

Per rifinire i bordi o fare regolazioni dimensionali, passare leggermente la lama lungo i bordi di taglio.

### Taglio dei metalli

Per tagliare i metalli, usare sempre un refrigerante (olio da taglio) adatto. Questa inosservanza può causare un veloce consumo della lama. Invece di usare un refrigerante, si può spalmare di grasso la parte inferiore del pezzo da lavorare.

### Estrazione della polvere (Fig. 17)

Collegando l'utensile ad un aspiratore Makita si possono eseguire dei tagli puliti. Inserire il manicotto dell'aspiratore nel foro sulla parte posteriore dell'utensile. Abbassare il coperchio antipolvere prima di questa operazione.

NOTA:

- L'estrazione della polvere non può essere eseguita quando si fanno i tagli inclinati.

### Guida pezzo (accessorio opzionale)

ATTENZIONE:

- Accertarsi sempre che l'utensile sia spento e staccato dalla presa di corrente prima di installare o di rimuovere gli accessori.

#### 1) Tagli diritti (Fig. 18, 19, 20 e 21)

Se si devono fare ripetutamente dei tagli di 160 mm o meno di larghezza, l'uso della guida pezzo assicura dei tagli diritti veloci e puliti.

Per installarla, inserire la guida pezzo nel foro rettangolare sul fianco della base dell'utensile, con la guida riparo rivolta in giù. Spingere la guida pezzo sulla posizione della larghezza di taglio desiderata, e stringere poi il bullone per fissarla.

#### 2) Tagli circolari (Fig. 22, 23, 24 e 25)

Per tagliare cerchi o archi con un raggio di 170 mm o meno, installare la guida pezzo come segue.

Inserire la guida pezzo nel foro rettangolare sul fianco della base dell'utensile, con la guida riparo rivolta in su. Inserire il perno della guida circolare in uno dei due fori della guida riparo. Avvitare il pomello filettato nel perno per fissarlo.

Spingere ora la guida pezzo sul raggio di taglio desiderato, e stringere il bullone per fissarla in posizione. Spostare poi completamente in avanti la base dell'utensile.

NOTA:

- Per tagliare i cerchi e gli archi, usare sempre le lame No. B-17, B-18, B-26 o B-27.

### Dispositivo antisceggiamento per la base d'acciaio (accessorio opzionale) (Fig. 26)

Per ottenere dei tagli privi di schegge, è possibile usare il dispositivo antisceggiamento. Per installare il dispositivo antisceggiamento, spostare completamente in avanti la base e inserirlo tra le due sporgenze della base.

NOTA:

- Il dispositivo antisceggiamento non può essere usato quando si fanno tagli a sbieco.

### Dispositivo antisceggiamento per base di alluminio (accessorio opzionale) (Fig. 27)

Per ottenere dei tagli privi di schegge, è possibile usare il dispositivo antisceggiamento. Per installare il dispositivo antisceggiamento, spostare del tutto in avanti la base dell'utensile ed installare il dispositivo dal retro della base dell'utensile. Quando si utilizza anche la piastra di protezione, installare il dispositivo antisceggiamento sulla piastra di protezione.

PRECAUZIONE:

- Il dispositivo antisceggiamento non può essere usato quando si fanno tagli inclinati.

### Piastra di protezione per base di alluminio (accessorio opzionale) (Fig. 28)

Utilizzare la piastra di protezione per tagliare impiallaccature decorative o materiali in plastica, ecc. In questo modo si proteggono dal danneggiamento le superfici più sensibili o delicate. Fissare la piastra di protezione sul retro della base dell'utensile.

## MANUTENZIONE

ATTENZIONE:

- Accertarsi sempre che l'utensile sia spento e staccato dalla presa di corrente prima di qualsiasi intervento di ispezione o di manutenzione.

Per preservare la sicurezza e l'affidabilità del prodotto, le riparazioni, l'ispezione e la sostituzione della spazzole di carbone o qualsiasi altra manutenzione e regolazione devono essere eseguite da un Centro Assistenza Makita autorizzato usando sempre ricambi Makita.

## **ACCESSORI**

### **ATTENZIONE:**

- In questo manuale si consiglia di usare questi accessori o ricambi Makita. L'impiego di altri accessori o ricambi potrebbe costituire un pericolo di lesioni. Usare esclusivamente gli accessori o ricambi per il loro scopo specificato.


Per maggiori dettagli riguardo a questi accessori, rivolgersi a un centro di assistenza Makita.

- Lama seghetto alternativo
- Chiave esagonale 3
- Gruppo guida pezzo (righello di guida)
- Dispositivo antisceggiamento
- Manicotto (Per aspirapolvere)
- Piastra di protezione (Per tipo base di alluminio)

## Verklaring van algemene gegevens

1 Zaagactie-keuzehendel	12 Voet	22 Geleideroppervlak
2 Trekkerschakelaar	13 Stofkap	23 Geleider
3 Vastzetknop	14 Zaaglijn	24 Schroefknop
4 Snelheidsregelknop	15 Zijrand	25 Pen
5 Zaagbladhouder	16 Schaalverdelingen	26 Antisplinterinrichting
6 Bout	17 Startgaatje	27 Uitsteeksels
7 Inbussleutel	18 Slang	28 Aluminiumvoet
8 Zaagblad	19 Type met stalen voet	29 Dekplaat
9 Rol	20 Breedtegeleider (trekgeleider- set)	
10 Haak	21 Type met aluminiumvoet	
11 Houder		

## TECHNISCHE GEGEVENS

Model		4326	4327	4328	4329
Slaglengte		18 mm	18 mm	18 mm	18 mm
Type zaagblad		Type B			
Max. snij- capaciteit	Hout	65 mm	65 mm	65 mm	65 mm
	Zacht staal	6 mm	6 mm	6 mm	6 mm
Aantal slagen per minuut (min <sup>-1</sup> )		3 100	500 – 3 100	500 – 3 100	500 – 3 100
Gesamtlänge		217 mm (Type met stalen voet)	217 mm (Type met stalen voet)	217 mm	223 mm
		223 mm (Type met aluminiumvoet)	223 mm (Type met aluminiumvoet)		
Nettogewicht		1,8 kg (Type met stalen voet)	1,8 kg (Type met stalen voet)	1,8 kg	1,9 kg
		1,9 kg (Type met aluminiumvoet)	1,9 kg (Type met aluminiumvoet)		
Veiligheidsklasse		 /II			

- In verband met ononderbroken research en ontwikkeling behouden wij ons het recht voor bovenstaande technische gegevens te wijzigen zonder voorafgaande kennisgeving.
- Opmerking: De technische gegevens kunnen van land tot land verschillen.

### Doeleinden van gebruik

Dit gereedschap is bedoeld voor het zagen van hout, kunststof en metalen materialen. Een uitgebreide keuze van accessoires en zaagbladen staat ter beschikking, zodat het gereedschap voor talrijke doeleinden kan worden gebruikt en optimaal geschikt is voor het zagen van bogen en cirkels.

### Stroomvoorziening

Het gereedschap mag alleen worden aangesloten op een stroombron van hetzelfde voltage als aangegeven op de naamplaat, en kan alleen op enkel-fase wisselstroom worden gebruikt.

Het gereedschap is dubbel-geïsoleerd volgens de Europese standaard en kan derhalve ook op een niet-geaard stopcontact worden aangesloten.

### Veiligheidswenken

Voor uw veiligheid dient u de bijgevoegde Veiligheidsvoorschriften nauwkeurig op te volgen.

## AANVULLENDE

### VEILIGHEIDSVOORSCHRIFTEN

**Laat u NIET misleiden door een vals gevoel van comfort en bekendheid met het gereedschap (na veelvuldig gebruik) en neem alle veiligheidsvoorschriften van de decoupeerzaag altijd strikt in acht. Bij onveilig of verkeerd gebruik van het elektrisch gereedschap, bestaat de kans op ernstig persoonlijk letsel.**

1. **Houd elektrisch gereedschap vast aan het geïsoleerde oppervlak van de handgrepen wanneer u werkt op plaatsen waar het zaaggereedschap met verborgen bedrading of zijn eigen snoer in aanraking kan komen.** Door contact met onder spanning staande draden, zullen de niet-geïsoleerde metalen delen van het gereedschap onder spanning komen te staan zodat de gebruiker een elektrische schok kan krijgen.
2. **Gebruik klemmen of een andere praktische methode om het werkstuk op een stabiele ondergrond te bevestigen en ondersteunen.** Als u het werkstuk in uw hand of tegen uw lichaam geklemd houdt, is het onvoldoende stabiel en kunt u de controle erover verliezen.
3. **Draag altijd een veiligheidsbril. Een gewone bril of een zonnebril is GEEN veiligheidsbril.**



4. Vermijd het zagen op spijkers. Inspecteer het werkstuk vooraf op de aanwezigheid van spijkers en verwijder deze voordat u met het werk begint.
5. Ook niet voor het zagen van zeer grote werkstukken.
6. Controleer vooraf of er voldoende vrije ruimte is achter het werkstuk om te voorkomen dat het zaagblad tegen een vloer, een werkbank e.d. stoot.
7. Houd het gereedschap stevig vast.
8. Zorg ervoor dat het zaagblad niet in contact is met het werkstuk voordat u de spanning inschakelt.
9. Houd uw handen uit de buurt van de bewegende delen.
10. Schakel altijd het gereedschap uit als u weg moet. Schakel het gereedschap alleen in als u het in handen houdt.
11. Schakel altijd uit en wacht tot het zaagblad volledig tot stilstand is gekomen, alvorens het gereedschap van het werkstuk te verwijderen.
12. Raak onmiddellijk na gebruik het zaagblad of het werkstuk niet aan, aangezien het nog gloeiend heet kan zijn en brandwonden kan veroorzaken.
13. Laat het gereedschap niet onnodig onbelast draaien.
14. Sommige materialen bevatten chemische stoffen die vergiftig kunnen zijn. Vermijd inademing van stof en contact met de huid. Volg de veiligheidsinstructies van de leverancier van het materiaal.
15. Gebruik altijd het juiste stofmasker/ademhalingsapparaat voor het materiaal en de toepassing waarmee u werkt.

**BEWAAR DEZE VOORSCHRIFTEN.**

**WAARSCHUWING:**

**VERKEERD GEBRUIK** of het niet naleven van de veiligheidsvoorschriften in deze gebruiksaanwijzing kan leiden tot ernstige verwondingen.

**BESCHRIJVING VAN DE FUNCTIES**

**LET OP:**

- Zorg altijd dat het gereedschap is uitgeschakeld en niet op een stopcontact is aangesloten voordat u functies op het gereedschap instelt of controleert.

**Selecteren van de zaagactie (Voor modellen 4328/4329) (Fig. 1)**

Dit gereedschap kan met twee zaagacties worden gebruikt: Zagen in een cirkelbaan of in rechte lijn (op en neer). Tijdens zagen in een cirkelbaan, wordt het zaagblad door de zaagactie naar voren geduwd en vermeerderd de zaagsnelheid aanzienlijk.

Om de zaagactie te veranderen, draait u gewoon de zaagactie-keuzehendel naar de gewenste stand.

Zie de tabel om de juiste zaagwerking te kiezen.

Stand	Zaagactie	Toepassingen
0	Zagen in rechte lijn	Zagen van zacht staal, roestvrij staal en plastic.
		Schoon zagen van hout en gelaagd hout.
I	Zagen in kleine cirkelbaan	Zagen van zacht staal, aluminium en hard hout.
II	Zagen in middelgrote cirkelbaan	Zagen van hout en gelaagd hout.
		Snel zagen in aluminium en zacht staal.
III	Zagen in grote cirkelbaan	Snel zagen in hout en gelaagd hout.

**Werking van de schakelaar (Fig. 2)**

**LET OP:**

- Alvorens het netsnoer op het stopcontact aan te sluiten, dient u altijd te controleren of de trekverschakelaar juist werkt en bij loslaten naar de "OFF" positie terugkeert.

Om het gereedschap te starten, drukt u gewoon de trekker in. Laat de trekker los om het gereedschap te stoppen.

Voor langdurig zagen drukt u eerst de trekker en dan de vastzetknop in.

Om het gereedschap vanuit deze vergrendelde stand te stoppen, wordt de trekker helemaal ingedrukt en vervolgens losgelaten.

**Snelheidsregelknop (Voor modellen 4327/4328/4329) (Fig. 3)**

De zaagsnelheid kan worden ingesteld op een willekeurige snelheid tussen 500 en 3100 slagen per minuut door de snelheidsregelknop naar links of rechts te draaien. Draai de knop in de richting van nummer 6 om de snelheid te vermeerderen, en in de richting van nummer 1 om de snelheid te verminderen.

Raadpleeg de tabel voor het selecteren van de snelheid die geschikt is voor het te zagen werkstuk. De geschikte snelheid hangt echter ook af van het type of de dikte van het werkstuk. In het algemeen, kunt u met hogere snelheden sneller zagen, maar het zaagblad zal dan minder lang meegaan.

Te zagen werkstuk	Nummer op regelknop
Hout	5 – 6
Zacht staal	3 – 6
Roestvrij staal	3 – 4
Aluminium	3 – 6
Plastic	1 – 4

LET OP:

- Als het gereedschap continu gedurende een lange tijd op lage snelheid wordt gebruikt, zal de motor overbelast en oververhit raken.
- De snelheidsregelknop kan niet verder dan 6 en niet verder terug dan 1 worden gedraaid. Probeer niet de knop met geweld voorbij 6 of 1 te draaien, aangezien de snelheidsregeling dan niet meer juist zal werken.

## INEENZETTEN

LET OP:

- Zorg altijd dat het gereedschap is uitgeschakeld en niet op een stopcontact is aangesloten alvorens enig werk aan het gereedschap uit te voeren.

## Installeren of verwijderen van het zaagblad (Fig. 4 en 5)

LET OP:

- Verwijder altijd alle spaanders of verontreinigingen van het zaagblad en/of de zaagbladhouder. Als u dit verzuimt, bestaat er kans dat het zaagblad niet goed vastgezet zal zijn, hetgeen ernstige verwonding kan veroorzaken.
- Raak het zaagblad of het werkstuk niet aan onmiddellijk na het gebruik; deze kunnen gloeiend heet zijn en brandwonden veroorzaken.
- Zet het zaagblad altijd goed vast. Als het zaagblad onvoldoende goed is vastgezet, kan het breken en ernstig persoonlijk letsel ontstaan.
- Gebruik uitsluitend type B zaagbladen. Als u een ander zaagblad dan type B gebruikt, wordt het zaagblad onvoldoende goed vastgezet waardoor ernstig persoonlijk letsel kan ontstaan.

Om het zaagblad te monteren, draait u de bout op de zaagbladhouder met de inbussleutel linksom.

Terwijl de tanden van het zaagblad naar voren wijzen, steekt u het zaagblad zo ver mogelijk in de zaagbladhouder. Zorg ervoor dat de achterrand van het zaagblad in de rol past. Draai daarna de bout rechtsom vast om het zaagblad vast te zetten.

Om het zaagblad te verwijderen, volgt u de procedure in omgekeerde volgorde.

OPMERKING:

- Smeer de rol af en toe.

## Opbergplaats voor de inbussleutel (Fig. 6)

Wanneer u de inbussleutel niet gebruikt, bergt u deze op de plaats aangegeven in de afbeelding op, om te voorkomen dat deze wordt verloren.

## Afstellen van de rol (Voor modellen 4326/4327) (Fig. 7)

Draai de bout op de achterzijde van de gereedschapsvoet los met de inbussleutel. Verschuif de houder zodat de rol net tegen het zaagblad aankomt. Draai daarna de bout weer vast om de gereedschapsvoet en de houder vast te zetten.

OPMERKING:

- Smeer de rol af en toe.

## Stofkap (Fig. 8)

LET OP:

- Draag altijd een veiligheidsbril, ook wanneer u het gereedschap gebruikt met de stofkap naar omlaag gebracht.

Breng de stofkap omlaag om te voorkomen dat spaanders in het rond vliegen. Voor verstekzagen dient u de stofkap echter helemaal omhoog te brengen.

## BEDIENING

LET OP:

- Houd de voet van het gereedschap altijd vlak met het werkstuk. Als u dit niet doet, kan het zaagblad breken, hetgeen ernstige verwonding kan veroorzaken.
- Beweeg het gereedschap langzamer vooruit tijdens het zagen van bochten en bij ornamentzagen. Als u het gereedschap dwingt, kan een schuin zaagoppervlak ontstaan en het zaagblad breken.

Schakel het gereedschap in zonder dat het zaagblad iets raakt en wacht tot het zaagblad op volle snelheid draait. Plaats dan de voet van het gereedschap vlak op het werkstuk en beweeg het gereedschap langzaam naar voren langs de van te voren op het werkstuk aangebrachte zaaglijn. (Fig. 9)

## Zagen onder een schuine hoek

LET OP:

- Zorg er altijd voor dat het gereedschap is uitgeschakeld en het netsnoer uit het stopcontact is verwijderd, alvorens de voet van het gereedschap schuin te zetten.
- Breng de stofkap helemaal omhoog alvorens schuine zaagsneden te maken.

Door de gereedschapsvoet schuin te zetten kunt u schuin zagen bij een willekeurige hoek tussen 0° en 45° (links of rechts). (Fig. 10)

Draai met de inbussleutel de bout aan de achterkant van de voet los. Beweeg de voet zodat de bout vlak in het midden van de kruisvormige sleuf in de voet komt te zitten. (Fig. 11)

Kantel de gereedschapsvoet om de gewenste schuine hoek te krijgen. Op de rand van het motorhuis wordt de verstekhoek aangegeven door een schaalverdeling. Draai daarna de bout vast om de voet vast te zetten. (Fig. 12)

## Zagen tot helemaal tegen de kant (Fig. 13)

Draai met de inbussleutel de bout aan de achterkant van de voet los en schuif de voet helemaal naar achteren. Draai daarna de bout vast om de voet vast te zetten.

## Figuren uitzagen

Voor het uitzagen van figuren kunt u methode A of B gebruiken.

### A) Voorboren van een startgaatje

Om figuren onmiddellijk in het midden van het werkstuk uit te zagen, en dus niet vanaf de rand, dient u eerst een startgaatje met een diameter van 12 mm of meer te boren. Steek het zaagblad door dit gaatje en begin dan met te zagen. (Fig. 14)

### B) Invalzagen

U hoeft geen startgaatje te boren of geen geleidesnede te maken indien u voorzichtig als volgt te werk gaat.

1. Houd het gereedschap schuin voorover door alleen het voorste gedeelte van de voet op het werkstuk te laten rusten, met de punt van het zaagblad net boven het werkstukoppervlak. (Fig. 15)
2. Oefen een beetje druk uit op het gereedschap om te voorkomen dat de voorrand van de voet kan bewegen, en schakel het gereedschap in. Laat het achterste van het gereedschap langzaam zakken.
3. Naarmate het zaagblad door het werkstuk heen zaagt, laat u de voet van het gereedschap langzaam op het werkstukoppervlak zakken.
4. Zaag verder op de normale manier.

## Afwerken van de randen (Fig. 16)

Voor het afwerken van randen of voor nauwkeurig op maat zagen, laat u het zaagblad lichtjes langs de gezaagde randen lopen.

## Zagen van metaal

Voor het zagen van metaal dient u altijd een geschikt koelmiddel (snijolie) te gebruiken. Wanneer u dit niet doet, zal het zaagblad snel slijten. In plaats van een koelmiddel te gebruiken, kunt u ook de onderkant van het werkstuk invetten.

## Stofafzuiging (Fig. 17)

U kunt schoner werken door dit gereedschap op een Makita stofzuiger aan te sluiten. Steek de slang van de stofzuiger in de opening aan de achterkant van het gereedschap. Breng de stofkap omlaag alvorens het gereedschap te gebruiken.

### OPMERKING:

- Stofafzuiging is niet mogelijk tijdens zagen onder een schuine hoek.

## Breedtegeleider (optioneel accessoire)

### LET OP:

- Zorg er altijd voor dat het gereedschap is uitgeschakeld en het netsnoer uit het stopcontact is verwijderd, alvorens accessoires te installeren of te verwijderen.

### 1) Rechte stukken zagen (Fig. 18, 19, 20 en 21)

Wanneer u herhaaldelijk stukken die 160 mm of minder breed zijn wilt zagen, kunt u snel rechte en schone sneden krijgen door de breedtegeleider te gebruiken.

Om de breedtegeleider te installeren, steekt u deze met zijn geleider naar beneden gericht door de rechthoekige opening op de zijkant van de gereedschapsvoet. Schuif de breedtegeleider naar de positie van de gewenste breedte, en draai dan de bout vast om hem vast te zetten.

### 2) Cirkels en bogen zagen (Fig. 22, 23, 24 en 25)

Wanneer u cirkels of bogen met een straal van 170 mm of minder wilt zagen, dient u de breedtegeleider als volgt te installeren.

Steek de breedtegeleider met zijn geleider naar boven gericht door de rechthoekige opening op de zijkant van de gereedschapsvoet. Steek de pin van de cirkelgeleider door een van de twee gaatjes in de geleider. Zet de pin vast door de schroefknop erop te schroeven.

Schuif nu de breedtegeleider naar de positie van de gewenste straal, en zet deze vast door de bout vast te draaien. Schuif daarna de voet van het gereedschap helemaal naar voren.

### OPMERKING:

- Gebruik altijd zaagbladen Nr. B-17, B-18, B-26 of B-27 wanneer u cirkels of bogen wilt zagen.

## Antisplinterinrichting voor stalen voet (optioneel accessoire) (Fig. 26)

Om splintervrije zaagsneden te krijgen, kunt u de anti-splinterinrichting gebruiken. Om het anti-splinterinrichting te monteren, zet u de voet in de voorste stand en plaatst u het apparaat tussen de twee uitsteeksels van de voet.

### OPMERKING:

- Het anti-splinterinrichting kan niet worden gebruikt bij verstekzagen.

## Antisplinterinrichting voor aluminiumvoet (optioneel accessoire) (Fig. 27)

Om splintervrije zaagsneden te krijgen, kunt u de anti-splinterinrichting gebruiken. Om deze te installeren, schuift u de gereedschapsvoet helemaal naar voren en dan bevestigt u de inrichting vanaf de onderzijde van de voet. Wanneer u de dekplaat gebruikt, installeert u de anti-splinterinrichting op de dekplaat.

### LET OP:

- De anti-splinterinrichting kan niet gebruikt worden voor zagen onder een schuine hoek.

## Dekplaat voor aluminiumvoet (optioneel accessoire) (Fig. 28)

- Gebruik de dekplaat wanneer u decoratiefineerhout, kunststof e.d. zaagt. Deze plaat beschermt gevoelige of tere oppervlakken tegen beschadiging. Bevestig de plaat op de onderzijde van de gereedschapsvoet.

## ONDERHOUD

### LET OP:

- Zorg altijd dat het gereedschap is uitgeschakeld en zijn stekker uit het stopcontact is verwijderd alvorens te beginnen met inspectie of onderhoud.

Om de VEILIGHEID en BETROUWBAARHEID van het gereedschap te verzekeren, dienen alle reparaties, inspectie en vervanging van koolborstels, en alle andere onderhoudswerkzaamheden of afstellingen te worden uitgevoerd door een erkend Makita servicecentrum, en dit uitsluitend met gebruik van originele Makita vervangingsonderdelen.

## ACCESSOIRES

LET OP:

- Deze accessoires of hulpstukken worden aanbevolen voor gebruik met het Makita gereedschap dat in deze gebruiksaanwijzing is beschreven. Bij gebruik van andere accessoires of hulpstukken bestaat er gevaar voor persoonlijke verwonding. Gebruik de accessoires of hulpstukken uitsluitend voor hun bestemd doel.

Wenst u meer bijzonderheden over deze accessoires, neem dan contact op met het plaatselijke Makita service-centrum.

- Figuurzaagblad
- Inbussleutel 3
- Breedtegeleider-set (trekgeleider-set)
- Antisplinterinrichting
- Slang (Voor stofzuiger)
- Dekplaat (Voor type met aluminiumvoet)

**Explicación de los dibujos**

1 Palanca de cambio de la acción de corte	10 Gancho	21 Tipo base de aluminio
2 Gatillo interruptor	11 Retenedor	22 Revestimiento de guía
3 Botón de seguro	12 Base	23 Guía lateral
4 Control de regulación de la velocidad	13 Guardapolvo	24 Perilla roscada
5 Portahoja de sierra	14 Línea de corte	25 Pasador
6 Perno	15 Borde	26 Dispositivo antiastillas
7 Llave hexagonal	16 Graduación	27 Protusiones
8 Hoja de sierra	17 Agujero de inicio	28 Base de aluminio
9 Rodillo	18 Manguera	29 Placa de rozamiento
	19 Tipo base de acero	
	20 Guía de apoyo (regla guía)	

**ESPECIFICACIONES**

Modelo		4326	4327	4328	4329
Longitud de carrera		18 mm	18 mm	18 mm	18 mm
Tipo de hoja de sierra		Tipo B			
Capacidad máxima de corte	Madera	65 mm	65 mm	65 mm	65 mm
	Acero suave	6 mm	6 mm	6 mm	6 mm
Carreras por minuto (min <sup>-1</sup> )		3.100	500 – 3.100	500 – 3.100	500 – 3.100
Longitud total	217 mm (Tipo base de acero)	217 mm (Tipo base de acero)	217 mm (Tipo base de aluminio)	217 mm	223 mm
	223 mm (Tipo base de aluminio)	223 mm (Tipo base de aluminio)			
Peso neto	1,8 kg (Tipo base de acero)	1,8 kg (Tipo base de acero)	1,8 kg (Tipo base de aluminio)	1,8 kg	1,9 kg
	1,9 kg (Tipo base de aluminio)	1,9 kg (Tipo base de aluminio)			
Clase de seguridad		 II			

- Debido a un programa continuo de investigación y desarrollo, las especificaciones aquí dadas están sujetas a cambios sin previo aviso.
- Nota: Las especificaciones pueden ser diferentes de país a país.

**Uso previsto**

La herramienta ha sido prevista para serrar madera, plástico y materiales metálicos. Gracias a la variedad de accesorios y tipos de sierras para diversos usos existentes, la herramienta puede utilizarse para muchas tareas y es muy apropiada para cortes curvados y circulares.

**Alimentación**

La herramienta ha de conectarse solamente a una fuente de alimentación de la misma tensión que la indicada en la placa de características, y sólo puede funcionar con corriente alterna monofásica. El sistema de doble aislamiento de la herramienta cumple con la norma europea y puede, por lo tanto, usarse también en enchufes hembra sin conductor de tierra.

**Sugerencias de seguridad**

Para su propia seguridad, consulte las instrucciones de seguridad incluidas.

**NORMAS DE SEGURIDAD ESPECÍFICAS**

**NO deje que la comodidad o familiaridad con el producto (a base de utilizarlo repetidamente) sustituya la estricta observancia de las normas de seguridad para la sierra caladora. Si utiliza esta herramienta eléctrica de forma no segura o incorrecta, podrá sufrir graves heridas personales.**

1. **Sujete las herramientas eléctricas por las superficies de asimiento aisladas cuando realice una operación en la que la herramienta de corte pueda entrar en contacto con cableado oculto o con su propio cable.** El contacto con un cable con corriente hará que la corriente circule por las partes metálicas expuestas de la herramienta y podrá electrocutar al operario.
2. **Utilice mordazas u otros medios de sujeción prácticos para sujetar y apoyar la pieza de trabajo en una plataforma estable.** Sujetada con la mano o contra su cuerpo, la pieza de trabajo estará inestable y podrá ocasionar la pérdida del control.
3. **Utilice siempre gafas de seguridad o pantalla facial. Las gafas normales o de sol NO sirven para proteger los ojos.**
4. **Evite cortar clavos. Inspeccione la pieza de trabajo y extraiga todos los clavos antes de efectuar el corte.**

5. No corte una pieza de trabajo de gran tamaño.
6. Verifique que haya espacio suficiente por detrás de la pieza de trabajo antes de empezar a cortar, de forma que la hoja de sierra no golpee contra el suelo, el banco de trabajo, etc.
7. Sostenga la herramienta firmemente.
8. Asegúrese de que la cuchilla no esté haciendo contacto con la pieza de trabajo antes de que se conecte el interruptor.
9. Mantenga las manos alejadas de las piezas móviles.
10. No deje la herramienta funcionando. Opere la herramienta solamente cuando la esté sosteniendo con las manos.
11. Cuando desconecte la herramienta, espere siempre a que la cuchilla se detenga completamente antes de separar la cuchilla de la pieza de trabajo.
12. No toque la cuchilla ni la pieza de trabajo inmediatamente después de la operación; puede que estén extremadamente calientes y le produzcan quemaduras en la piel.
13. No haga funcionar la herramienta sin carga innecesariamente.
14. Algunos materiales contienen sustancias químicas que podrán ser tóxicas. Tenga precaución para evitar la inhalación de polvo y el contacto con la piel. Siga los datos de seguridad del abastecedor del material.
15. Utilice siempre la mascarilla contra el polvo o el respirador correcto para el material con que esté trabajando y la aplicación que realice.

## GUARDE ESTAS INSTRUCCIONES.

### ADVERTENCIA:

El MAL USO o el no seguir las normas de seguridad establecidas en este manual de instrucciones podrá ocasionar graves heridas personales.

## DESCRIPCIÓN FUNCIONAL

### PRECAUCIÓN:

- Cerciérese siempre de que la herramienta está apagada y desenchufada antes de ajustar la herramienta o comprobar alguna de sus funciones.

### Selección de la acción de corte (Para los modelos 4328/4329) (Fig. 1)

Esta herramienta se puede utilizar con una acción de corte orbital o de línea recta (hacia arriba y hacia abajo). La acción de corte orbital empuja hacia delante a la hoja de sierra en el recorrido de corte y aumenta notablemente la velocidad de corte.

Para cambiar la acción de corte, no tiene más que girar la palanca de cambio de la acción de corte hasta la posición de acción de corte deseada.

Consulte la tabla para seleccionar el modo de corte apropiado.

Posición	Acción de corte	Aplicaciones
0	Acción de corte de línea recta	Para cortar acero blando, acero inoxidable y plásticos.
		Para cortar limpiamente madera y contrachapado.
I	Acción de corte con pequeña órbita	Para cortar acero blando, aluminio y madera dura.
II	Acción de corte con mediana órbita	Para cortar madera y contrachapado.
		Para cortar rápidamente aluminio y acero blando.
III	Acción de corte con gran órbita	Para cortar rápidamente madera y contrachapado.

### Accionamiento del interruptor (Fig. 2)

#### PRECAUCIÓN:

- Antes de enchufar la herramienta, compruebe siempre que el gatillo interruptor se acciona correctamente y que vuelve a la posición "OFF" cuando lo suelta.

Para poner en marcha la herramienta, apriete simplemente el gatillo. Para pararla, suelte el gatillo.

Para operación continua, apriete el gatillo y luego empuje hacia adentro el botón de bloqueo.

Para parar la herramienta estando bloqueada en operación continua, presione completamente el gatillo y luego suéltelo.

### Control de regulación de la velocidad (Para los modelos 4327/4328/4329) (Fig. 3)

La velocidad de la herramienta puede ajustarse en infinitas posiciones entre 500 y 3.100 carreras por minuto girando el control de regulación de velocidad. Para aumentar la velocidad, gire el control en la dirección del número 6 y, para reducirla, gírelo en la dirección del número 1.

Consulte la tabla para seleccionar la velocidad apropiada para la pieza de trabajo que vaya a cortar. Sin embargo, la velocidad apropiada podrá variar de acuerdo con el tipo o grosor de la pieza de trabajo. En general, a velocidades altas podrá cortar las piezas de trabajo más rápidamente, pero la vida útil de la hoja de sierra se acortará.

Pieza de trabajo a cortar	Número en el control de regulación
Madera	5 – 6
Acero suave	3 – 6
Acero inoxidable	3 – 4
Aluminio	3 – 6
Plásticos	1 – 4

#### PRECAUCIÓN:

- Si la herramienta es utilizada continuamente a baja velocidad durante largo tiempo, el motor se sobrecargará y recalentará.
- El control de regulación de la velocidad solamente se puede girar hasta el número 6 y retroceder hasta el 1. No intente forzarlo más allá del 6 o del 1, porque podría estropearlo.

## MONTAJE

#### PRECAUCIÓN:

- Cerciórese siempre de que la herramienta está apagada y desenchufada antes de realizar cualquier trabajo en ella.

### Instalación o extracción de la hoja de sierra (Fig. 4 y 5)

#### PRECAUCIÓN:

- Limpie siempre todas las virutas o materias extrañas adheridas a la hoja de sierra y/o al portahoja de sierra. Si no lo hace así, podrá dar lugar a un apriete insuficiente de la hoja de sierra con el posible riesgo de sufrir lesiones graves.
- No toque la hoja de sierra ni la pieza de trabajo inmediatamente después la tarea de corte; podrían estar muy calientes y producirle quemaduras de piel.
- Sujete siempre la hoja de sierra firmemente. Un apretado insuficiente de la hoja de sierra podrá ocasionar la rotura de la misma o heridas personales graves.
- Utilice hojas de sierra tipo B solamente. Si utiliza hojas de sierra distintas del tipo B la hoja de sierra no podrá ser apretada suficientemente resultando en heridas personales graves.

Para instalar la hoja de sierra, afloje el perno del portasierra en sentido contrario a las manecillas del reloj con la llave hexagonal.

Inserte la hoja de sierra a fondo en el portasierra con los dientes de la hoja de sierra orientados hacia delante. Asegúrese de que el borde trasero de la hoja de sierra encaja en el rodillo. Después apriete el perno en sentido de las manecillas del reloj para sujetar la hoja de sierra. Para quitar la hoja de sierra, siga el procedimiento de instalación a la inversa.

#### NOTA:

- Lubrique el rodillo de vez en cuando.

### Para guardar la llave hexagonal (Fig. 6)

Cuando no la esté utilizando, coloque la llave hexagonal como se muestra en la figura para evitar perderla.

## Corte de aberturas

Los cortes de aberturas pueden realizarse con cualquiera de los dos métodos A o B.

### A) Perforando un agujero de arranque

### Ajuste del rodillo (Para los modelos 4326/4327) (Fig. 7)

Afloje el perno que hay en la parte posterior de la base de la herramienta con la llave hexagonal. Mueva el retenedor de forma que el rodillo toque ligeramente la hoja de sierra. Luego apriete el perno para sujetar la base de la herramienta y el retenedor.

#### NOTA:

- Lubrique el rodillo de vez en cuando.

### Guardapolvo (Fig. 8)

#### PRECAUCIÓN:

- Póngase siempre gafas de seguridad, incluso cuando utilice la herramienta con el guardapolvo bajado.

Baje el guardapolvo para evitar que puedan salir volando las virutas. Sin embargo, cuando haga cortes en bisel, súbalo completamente.

## FUNCIONAMIENTO

#### PRECAUCIÓN:

- Sujete siempre la base de la herramienta plana contra la pieza de trabajo. En caso contrario, la hoja de sierra podrá romperse, y ocasionarle graves lesiones.
- Avance la herramienta muy despacio cuando corte curvas o en línea no recta. Si fuerza la herramienta podrá desgarrarse la superficie de corte y romperse la hoja de sierra.

Encienda la herramienta sin que la hoja de sierra esté tocando nada y espere hasta que la hoja de sierra alcance plena velocidad. Luego apoye la base de la herramienta plana sobre la pieza de trabajo y desplace suavemente la herramienta hacia delante siguiendo la línea de corte marcada previamente. (Fig. 9)

### Corte en bisel

#### PRECAUCIÓN:

- Asegúrese siempre de que la herramienta esté apagada y desenchufada antes de inclinar la base de la herramienta.
- Suba completamente el guardapolvo antes de hacer cortes en bisel.

Inclinando la base, podrá hacer cortes en bisel a cualquier ángulo comprendido entre 0° y 45° (izquierdo o derecho). (Fig. 10)

Afloje el perno de la parte posterior de la base con la llave hexagonal. Mueva la base de la herramienta de forma que el perno quede situado en el centro de la ranura cruciforme de la base de la herramienta. (Fig. 11) Incline la base hasta obtener el ángulo de bisel deseado. El borde del alojamiento del motor indica el ángulo de bisel en graduaciones. Después apriete el perno para sujetar base. (Fig. 12)

### Cortes con tope en la parte delantera (Fig. 13)

Afloje el perno que hay en la parte posterior de la base de la herramienta con la llave hexagonal, y mueva la base de la herramienta completamente hacia atrás. Luego apriete el perno para sujetar la base de la herramienta.

Para hacer una abertura interna sin un corte de arranque desde el borde, perforo un agujero de inicio de 12 mm o más de diámetro. Inserte la hoja de sierra en este agujero para iniciar la abertura. (Fig. 14)

## B) Corte calado

Si realiza lo siguiente con cuidado, no necesitará perforar un agujero de arranque o hacer un corte desde el borde.

1. Inclina la herramienta hacia delante sobre el borde delantero de la base, con la punta de la hoja de sierra situada justo por encima de la superficie de la pieza de trabajo. **(Fig. 15)**
2. Aplique presión sobre la herramienta para que el borde delantero de la base no se mueva cuando ponga en marcha la herramienta y baje con cuidado gradualmente la parte posterior de la herramienta.
3. Según la hoja de sierra vaya penetrando en la pieza de trabajo, baje gradualmente la base de la herramienta hasta la superficie de la pieza de trabajo.
4. Complete el corte de manera normal.

## Suavizamiento de bordes (Fig. 16)

Para suavizar bordes o hacer ajustes dimensionales, pase la hoja de sierra a lo largo de bordes cortados.

## Corte de metales

Utilice siempre un refrigerante adecuado (aceite de corte) cuando corte metales. Si no lo utiliza la hoja de sierra se desgastará considerablemente. En lugar de utilizar un refrigerante puede engrasar la parte inferior de la pieza de trabajo.

## Extracción del polvo (Fig. 17)

Conectando esta herramienta a un aspirador Makita podrá realizar operaciones de corte limpias. Inserte la manguera del aspirador en el orificio situado en la parte posterior de la herramienta. Baje el guardapolvo antes de realizar la operación de corte.

NOTA:

- Cuando haga cortes en bisel no podrá realizar la extracción de polvo.

## Guía de apoyo (accesorio opcional)

PRECAUCIÓN:

- Asegúrese siempre de que la herramienta esté apagada y desenchufada antes de instalar o desmontar accesorios.

### 1) Cortes rectos (Fig. 18, 19, 20 y 21)

Cuando haga cortes repetidos de 160 mm o menos de anchura, el empleo de la guía de apoyo asegurará unos cortes rápidos, limpios y rectos.

Para instalarla, inserte la guía de apoyo en el orificio rectangular situado en el costado de la base de la herramienta con la guía lateral mirando hacia abajo. Deslice la guía de apoyo hasta la posición que le ofrezca la anchura de corte deseada, luego apriete el perno para sujetarla.

### 2) Cortes circulares (Fig. 22, 23, 24 y 25)

Cuando corte círculos o arcos de 170 mm o menos de radio, instale la guía de apoyo de la siguiente forma.

Inserte la guía de apoyo en el orificio rectangular situado en el costado de la base de la herramienta con la guía lateral mirando hacia arriba. Inserte el pasador de la guía circular en uno de los dos orificios de la guía lateral. Rosque la perilla roscada en el pasador para sujetar el pasador.

Ahora deslice la guía de apoyo hasta el radio de corte deseado, y apriete el perno para sujetarla en esa posición. Luego mueva la base de la herramienta completamente hacia delante.

NOTA:

- Cuando corte círculos o arcos, utilice siempre hojas de corte N.º B-17, B-18, B-26 o B-27.

## Dispositivo antiastillas para base de acero (accesorio opcional) (Fig. 26)

Para hacer cortes sin astillas, puede utilizar el dispositivo antiastillas. Para instalar el dispositivo antiastillas, mueva la base hacia delante a tope e insértelo entre las dos protuberancias de la base.

NOTA:

- El dispositivo antiastillas no puede utilizarse cuando se hacen cortes en bisel.

## Dispositivo antiastillas para base de aluminio (accesorio opcional) (Fig. 27)

Para cortes sin astillas, se puede utilizar el dispositivo antiastillas. Para instalar el dispositivo antiastillas, mueva la base de la herramienta hacia delante a tope y encájelo en la parte posterior de la base de la herramienta. Cuando utilice la placa de rozamiento, instale el dispositivo antiastillas en la placa de rozamiento.

PRECAUCIÓN:

- Cuando haga cortes en bisel no podrá utilizar el dispositivo antiastillas.

## Placa de rozamiento para base de aluminio (accesorio opcional) (Fig. 28)

Utilice la placa de rozamiento cuando corte chapas de revestimiento decorativas, plásticos, etc. Proteja las superficies sensibles o delicadas contra daños. Encájela en la parte posterior de la base de la herramienta.

## MANTENIMIENTO

PRECAUCIÓN:

- Asegúrese siempre de que la herramienta esté apagada y desenchufada antes de intentar realizar una inspección o mantenimiento.

Para mantener la SEGURIDAD y FIABILIDAD del producto, las reparaciones, la inspección y sustitución de las escobillas de carbón, y cualquier otro mantenimiento o ajuste deberán ser realizados en Centros o Servicios Autorizados por Makita, empleando siempre piezas de repuesto de Makita.



## ACCESORIOS

### PRECAUCIÓN:

- Estos accesorios o acoplamientos están recomendados para utilizar con su herramienta Makita especificada en este manual. El empleo de cualesquiera otros accesorios o acoplamientos conllevará un riesgo de sufrir heridas personales. Utilice los accesorios o acoplamientos solamente para su fin establecido.


Si necesita cualquier ayuda para más detalles en relación con estos accesorios, pregunte a su centro de servicio Makita local.

- Hoja de sierra de calar
- Llave hexagonal 3
- Conjunto de guía de apoyo (regla guía)
- Dispositivo antiastillas
- Manguera (Para aspirador)
- Placa de rozamiento (Para tipo base de aluminio)

## Explicação geral

1 Alavanca de mudança da acção de corte	11 Suporte	22 Guia
2 Gatilho de interruptor	12 Base	23 Vedação guia
3 Botão de bloqueio	13 Cobertura contra o pó	24 Botão roscado
4 Marcador de regulação de velocidade	14 Linha de corte	25 Pino
5 Suporte da lâmina	15 Extremidade	26 Mecanismo de anti-fragmentação
6 Perno	16 Graduações	27 Protuberância
7 Chave hexagonal	17 Orifício de início	28 Base de alumínio
8 Lâmina	18 Mangueira	29 Placa de cobertura
9 Cilindro	19 Tipo base de aço	
10 Gancho	20 Vedação para escarificação (régua guia)	
	21 Tipo base de alumínio	

## ESPECIFICAÇÕES

Modelo		4326	4327	4328	4329
Comprimento do corte		18 mm	18 mm	18 mm	18 mm
Tipo de lâmina		Tipo B			
Capacidade máxima de corte	Madeira	65 mm	65 mm	65 mm	65 mm
	Aço macio	6 mm	6 mm	6 mm	6 mm
Cortes por minutos (min <sup>-1</sup> )		3.100	500 – 3.100	500 – 3.100	500 – 3.100
Comprimento total	217 mm (Tipo base de aço)	217 mm (Tipo base de aço)	217 mm (Tipo base de alumínio)	217 mm	223 mm
	223 mm (Tipo base de alumínio)	223 mm (Tipo base de alumínio)			
Peso líquido	1,8 kg (Tipo base de aço)	1,8 kg (Tipo base de aço)	1,8 kg (Tipo base de alumínio)	1,8 kg	1,9 kg
	1,9 kg (Tipo base de alumínio)	1,9 kg (Tipo base de alumínio)			
Classe de segurança		 II			

- Devido a um programa contínuo de pesquisa e desenvolvimento, estas especificações podem ser alteradas sem aviso prévio.
- Nota: As especificações podem variar de país para país.

### Utilização pretendida

A ferramenta foi concebida para a serragem de madeira, plásticos e materiais metálicos. Como resultado dos imensos acessórios e dos programas da lâmina da serra, a ferramenta pode ser utilizada para muitos fins e é adequada para cortes curvos ou circulares.

### Alimentação

A ferramenta só deve ser ligada a uma fonte de alimentação com a mesma voltagem da indicada na placa de características, e só funciona com alimentação CA monofásica. Tem um sistema de isolamento duplo de acordo com as normas europeias e pode, por isso, utilizar tomadas sem ligação à terra.

### Conselhos de segurança

Para sua segurança, leia as instruções anexas.

## REGRAS DE SEGURANÇA ESPECÍFICAS

**NÃO permita que conforto ou familiaridade com o produto (adquirido com o uso repetido) substituam aderência às regras de segurança da serra de vaivém. Se utilizar esta ferramenta eléctrica sem segurança ou incorrectamente, pode sofrer danos pessoais graves.**

1. **Agarre nas ferramentas eléctricas pelas partes isoladas quando executa uma operação em que a ferramenta de corte pode entrar em contacto com qualquer fio escondido ou com o seu próprio cabo.** O contacto com um fio “vivo” tornará as partes metálicas expostas “vivas” e chocará o operador.
2. **Utilize grampos ou qualquer outra maneira prática para prender e suportar a peça de trabalho numa plataforma estável.** Pegar na peça de trabalho com a mão ou contra o seu corpo torna-a instável e pode perder o controlo.
3. **Use sempre óculos de segurança ou de protecção.** Óculos normais ou de sol **NÃO** são óculos de segurança.
4. **Evite cortar pregos.** Inspeccione a peça de trabalho antes da operação e retire quaisquer pregos que existam.

5. Não corte uma superfície de grandes dimensões.
6. Verifique antes do corte se tem a folga correcta abaixo da peça de trabalho de modo a que a lâmina não bata no chão, bancada, etc.
7. Segure a ferramenta com firmeza.
8. Certifique-se de que a lâmina não está em contacto com a superfície de trabalho antes de ligar o interruptor.
9. Afaste as mãos das partes em movimento.
10. Nunca deixe a ferramenta a funcionar sozinha. Trabalhe com ela apenas quando puder segurá-la com as mãos.
11. Quando desligar a ferramenta, aguarde sempre até a lâmina estar completamente parada antes de a retirar da superfície de trabalho.
12. Não toque na lâmina nem na superfície de trabalho logo após a operação; podem estar muito quentes e provocar queimaduras.
13. Não funcione desnecessariamente com a ferramenta sem carga.
14. Alguns materiais contêm químicos que podem ser tóxicos. Tenha cuidado para evitar inalação de pó e contacto com a pele. Siga o dados de segurança do fornecedor do material.
15. Use sempre a máscara para o pó/respirador apropriado para o material e aplicação com que está a trabalhar.

## GUARDE ESTAS INSTRUÇÕES.

### AVISO:

**MÁ INTERPRETAÇÃO** ou não seguimento das regras de segurança estabelecidas neste manual de instruções pode causar danos pessoais sérios.

## DESCRIÇÃO DO FUNCIONAMENTO

### PRECAUÇÃO:

- Antes de efectuar qualquer inspecção ou ajuste na ferramenta, verifique sempre se desligou a ferramenta e retirou a ficha da tomada de corrente .

### Seleção da acção de corte (Para os modelos 4328/4329) (Fig. 1)

Esta ferramenta pode funcionar com uma acção de corte de linha orbital ou direita (para cima e para baixo). A acção de corte orbital empurra a lâmina para a frente na pancada de corte e aumenta grandemente a velocidade de corte. Para mudar a acção de corte, rode simplesmente a alavanca de mudança de acção de corte para a posição da acção de corte desejada.

Refira-se à tabela para seleccionar a acção de corte apropriada.

Posição	Acção de corte	Aplicações
0	Acção de corte de linha direita	Para cortes em aço macio, aço inoxidável e plástico.
		Para cortes limpos em madeira e contraplacado.
I	Acção de corte de órbita pequena	Para cortar aço médio, alumínio e madeira dura.
II	Acção de corte de órbita média	Para cortar madeira e contraplacado.
		Para cortes rápidos em alumínio e aço mole.
III	Acção de corte de órbita larga	Para cortes rápidos em madeira e contraplacado.

### Acção do interruptor (Fig. 2)

#### PRECAUÇÃO:

- Antes de ligar a ferramenta à corrente, certifique-se sempre de que o gatilho funciona correctamente e volta para a posição "OFF" quando libertado.

Para ligar a ferramenta carregue simplesmente no gatilho. Liberte o gatilho para parar.

Para funcionamento contínuo, carregue no gatilho e em seguida empurre o botão de bloqueio.

Para parar a ferramenta na posição de bloqueio, carregue no gatilho completamente e em seguida liberte-o.

### Marcador de regulação de velocidade

#### (Para os modelos 4327/4328/4329) (Fig. 3)

A velocidade da ferramenta pode ser regulada infinitamente entre 500 e 3.100 cortes por minuto rodando o marcador de regulação. Obtem maior velocidade quando roda o marcador na direcção do número 6; obtem menor velocidade quando o roda na direcção do número 1.

Refira-se à tabela para seleccionar a velocidade adequada para a peça a cortar. No entanto, a velocidade apropriada pode ser diferente conforme a espessura da peça de trabalho. Em geral, maior velocidade permite o corte mais rápido de peças mas a vida útil da lâmina será reduzida.

Peça a ser cortada	Número no marcador de regulação
Madeira	5 – 6
Aço macio	3 – 6
Aço inoxidável	3 – 4
Alumínio	3 – 6
Pásticos	1 – 4

## PRECAUÇÃO:

- Se funcionar com a ferramenta continuamente em velocidade baixa durante longo tempo, o motor ficará sobrecarregado e aquecerá.
- O marcador de regulação de velocidade só pode ser rodado até ao 6 e ao 1. Não o force para ultrapassar o 6 ou o 1, ou a função de regulação de velocidade poderá ficar estragada.

## MONTAGEM

### PRECAUÇÃO:

- Antes de efectuar qualquer inspecção ou manutenção na ferramenta, desligue sempre a ferramenta e retire a ficha da tomada de corrente.

### Colocar ou retirar a lâmina da serra (Fig. 4 e 5)

#### PRECAUÇÃO:

- Limpe sempre todas as partículas e matérias estranhas aderentes à lâmina e/ou suporte da lâmina. Se não o fizer pode originar insuficiente aperto da lâmina que pode causar um acidente.
- Não toque na lâmina ou na peça de trabalho imediatamente depois da operação; podem estar extremamente quentes e pode queimar-se.
- Prenda sempre a lâmina firmemente. Aperto insuficiente da lâmina pode causar que a lâmina se estrague ou danos pessoais sérios.
- Utilize só lâminas tipo B. A utilização de lâminas que não sejam tipo B causa insuficiente aperto da lâmina, resultando em danos pessoais sérios.

Para instalar a lâmina, solte o parafuso para a esquerda no suporte da lâmina com a chave hexagonal.

Com os dentes da lâmina virados para a frente, coloque a lâmina no suporte da lâmina o mais fundo possível. Certifique-se de que a extremidade traseira da lâmina encaixa no cilindro. Em seguida aperte o parafuso para a direita para prender a lâmina.

Para retirar a lâmina, execute inversamente o procedimento de instalação.

#### NOTA:

- Lubrifique o cilindro ocasionalmente.

### Armazenamento da chave hexagonal (Fig. 6)

Quando não a estiver a utilizar, guarde a chave hexagonal como indicado na figura para não a perder.

### Regulação do cilindro (Fig. 7)

Liberte o perno na parte traseira da base da ferramenta com a chave hexagonal. Mova o suporte de modo a que o cilindro contacte ligeiramente com a base. Em seguida aperte o perno para prender a base da ferramenta e o suporte.

#### NOTA:

- Lubrifique o cilindro ocasionalmente.

### Cobertura contra o pó (Fig. 8)

#### PRECAUÇÃO:

- Utilize sempre óculos de segurança mesmo quando funcionar com a ferramenta com a cobertura contra o pó baixada.

Baixar a cobertura contra o pó para evitar que as partículas saltem. No entanto, quando fizer cortes de esquadria, levante-a completamente.

## FUNCIONAMENTO

### PRECAUÇÃO:

- Mantenha sempre a base da ferramenta nivelada com a peça de trabalho. Se assim não for pode estragar a lâmina e causar uma acidente.
- Avance com a ferramenta muito devagar quando corta curvas ou desbasta. Forçar a ferramenta pode causar uma superfície desnivelada e estragar a lâmina.

Ligue a ferramenta sem a lâmina fazer qualquer contacto e espera até que a lâmina atinja toda a velocidade. Em seguida assente a base da ferramenta na peça de trabalho e mova a ferramenta suavemente ao longo da linha de corte marcada anteriormente. (Fig. 9)

### Cortes de esquadria

#### PRECAUÇÃO:

- Certifique-se sempre de que a ferramenta está desligada e a ficha retirada da tomada antes de inclinar a base da ferramenta.
- Levante a cobertura contra o pó completamente antes de fazer cortes de esquadria.

Com a base da ferramenta inclinada, pode fazer cortes de bisel em qualquer ângulo entre 0° e 45° (esquerdo ou direito). (Fig. 10)

Liberte o perno na parte traseira da base com a chave hexagonal. Mova a base da ferramenta de modo a que o perno fique colocado no centro da ranhura em forma de cruz na base da ferramenta. (Fig. 11)

Incline a base até que obtenha o ângulo de bisel desejado. A extremidade da caixa do motor indica o ângulo de bisel em gradações. Em seguida aperte o parafuso para prender a base. (Fig. 12)

### Corte de topo frontal (Fig. 13)

Liberte o perno na parte traseira da ferramenta com a chave hexagonal e em seguida mova a base da ferramenta completamente para trás. Aperte o perno para prender a base da ferramenta.

### Recortes

Os recortes podem ser feitos de duas maneiras, A ou B.

#### A) Fazendo um orifício inicial

Para recortes internos sem um corte de passagem na extremidade, perfure um orifício inicial com 12 mm ou mais de diâmetro. Coloque a lâmina neste orifício para iniciar o corte. (Fig. 14)

#### B) Corte penetrante

Não necessita de fazer um orifício de início ou um corte de passagem se fizer cuidadosamente o que se segue.

1. Incline a ferramenta para cima na extremidade frontal da base, com a ponta da lâmina colocada mesmo acima da superfície de trabalho. (Fig. 15)
2. Aplique pressão na ferramenta de modo a que a extremidade frontal da base não se mova quando liga a ferramenta e suavemente e devagar desça a extremidade traseira da ferramenta.
3. Quando a lâmina fura a peça de trabalho, desça devagar a base da ferramenta para a superfície da peça de trabalho.
4. Acabe o corte do modo normal.

### Acabamento das extremidades (Fig. 16)

Para aparar as extremidades ou fazer ajustes de dimensões, passe ligeiramente com a lâmina ao longo das extremidades do corte.

## Corte de metal

Utilize sempre um lubrificante adequado (óleo de corte) quando corta metal. Caso contrário, provocará desgaste da lâmina. A parte inferior poderá ser oleada em vez de utilizar lubrificante.

## Extracção do pó (Fig. 17)

Pode executar uma operação de corte limpa ligando esta ferramenta a um aspirador da Makita. Coloque a mangueira do aspirador no orifício na parte traseira da ferramenta. Baixe a cobertura contra o pó antes da operação.

NOTA:

- Não pode fazer a extracção do pó quando executa cortes de esquadria.

## Vedação para escarificação (acessório opcional)

PRECAUÇÃO:

- Certifique-se sempre de que a ferramenta está desligada e a ficha retirada da tomada antes de colocar ou retirar acessórios.

### 1) Cortes rectos (Fig. 18, 19, 20 e 21)

Quando corta repetidamente larguras de 160 mm ou menos, a utilização da vedação para escarificação assegurará um corte mais rápido, limpo e direito.

Para a instalar, coloque a vedação para escarificação no orifício rectangular no lado da base ferramenta com a vedação guia voltada para baixo. Deslize a vedação para escarificação para a posição desejada de largura do corte e em seguida aperte o perno para a prender.

### 2) Cortes circulares (Fig. 22, 23, 24 e 25)

Quando corta círculos ou arcos com 170 mm ou menos de raio, coloque a vedação para escarificação como se segue.

Coloque a vedação para escarificação no orifício rectangular no lado da base da ferramenta com a vedação guia voltada para cima. Introduza a haste para a guia circular num dos dois orifícios da vedação guia. Aparafuse o botão roscado na haste para a prender.

Em seguida deslize a vedação para escarificação para o raio de corte desejado e em seguida aperte o perno para a prender. Movimente a base da ferramenta completamente para a frente.

NOTA:

- Utilize sempre lâminas N. B-17, B-18, B-26 ou B-27 quando corta círculos ou arcos.

## Mecanismo de anti-fragmentação para base de aço (acessório opcional) (Fig.26)

Para cortes sem fragmentação, pode utilizar o mecanismo de anti-fragmentação. Para instalar o mecanismo de anti-fragmentação, deslize a base completamente para a frente e insira-a entre as duas protuberâncias na base.

NOTA:

- Não pode usar o mecanismo de anti-fragmentação quando faz cortes de bisel.

## Mecanismo de anti-fragmentação para base de alumínio (acessório opcional) (Fig. 27)

Para cortes sem fragmentação, pode utilizar o mecanismo de anti-fragmentação. Para instalar o mecanismo de anti-fragmentação, desloque a base da ferramenta completamente para a frente e coloque-a na base traseira da base da ferramenta. Quando utiliza a placa de cobertura, instale o mecanismo de anti-fragmentação na placa de cobertura.

PRECAUÇÃO:

- Não pode utilizar o mecanismo de anti-fragmentação quando executa cortes de esquadria.

## Placa de cobertura para base de alumínio (acessório opcional) (Fig. 28)

Utilize a placa de cobertura quando corta embutidos decorativos, plásticos, etc. Protege de estragos as superfícies sensíveis ou delicadas. Coloque-a na parte traseira da base da ferramenta.

## MANUTENÇÃO

PRECAUÇÃO:

- Certifique-se sempre de que a ferramenta está desligada e a ficha retirada da tomada antes de tentar executar qualquer inspecção ou manutenção.

Para manter a SEGURANÇA e FIABILIDADE do produto, a reparação, inspecção e substituição da escova de carvão, bem como qualquer afinação ou manutenção devem sempre ser efectuadas num centro de assistência oficial Makita, utilizando sempre peças de substituição Makita.

## ACESSÓRIOS

PRECAUÇÃO:

- Estes acessórios ou peças extra são recomendadas para utilização com a sua ferramenta Makita especificada neste manual. A utilização de qualquer outros acessórios ou peças extra podem apresentar o risco de ferimentos. Só utilize os acessórios ou peças extras para o fim a que são destinados.


Se necessitar de informações adicionais relativas a estes acessórios, solicite-as ao seu centro de assistência Makita.

- Lâmina da serra de vaivém
- Chave hexagonal 3
- Conjunto de vedações para escarificação (régua guia)
- Mecanismo de anti-fragmentação
- Mangueira (Para o aspirador do pó)
- Placa de cobertura (Para base tipo de alumínio)

## Illustrationsoversigt

1 Savemådevælger	12 Sål	22 Guideanlæg
2 Afbryderkontakt	13 Støvdæksel	23 Anlægskinne
3 Låseknap	14 Snitlinie	24 Kuglegreb
4 Hastighedsvælger	15 Kant	25 Stift
5 Klingeholder	16 Geringsmål	26 Antisplint-anordning
6 Bolt	17 Starthul	27 Fremspring
7 Unbrakonøgle	18 Slange	28 Aluminiumssål
8 Klinge	19 Type med stålsål	29 Fodplade
9 Trykrulle	20 Parallellanslag (støtteførings-sæt)	
10 Krog	21 Type med aluminiumssål	
11 Holder		

## SPECIFIKATIONER

Model		4326	4327	4328	4329
Slaglængde		18 mm	18 mm	18 mm	18 mm
Klingetype		B-type			
Maksimal snitkapacitet	Træ	65 mm	65 mm	65 mm	65 mm
	Smedestål	6 mm	6 mm	6 mm	6 mm
Slag per minut (min <sup>-1</sup> )		3 100	500 – 3 100	500 – 3 100	500 – 3 100
Længde		217 mm (Type med stålsål)	217 mm (Type med stålsål)	217 mm	223 mm
		223 mm (Type med aluminiumssål)	223 mm (Type med aluminiumssål)		
Vægt		1,8 kg (Type med stålsål)	1,8 kg (Type med stålsål)	1,8 kg	1,9 kg
		1,9 kg (Type med aluminiumssål)	1,9 kg (Type med aluminiumssål)		
Sikkerhedsklasse		 /II			

- Ret til tekniske ændringer forbeholdes.
- Bemærk: Tekniske data kan variere fra land til land.

## Tilsigtet anvendelse

Denne maskine er beregnet til savning i træ, plast- og metalmaterialer. Takket være det omfattende udvalg i tilbehør og savklinger, kan maskinen anvendes til mange formål og er velegnet til at save buer og cirkler.

## Netspænding

Maskinen må kun tilsluttes den netspænding, der er angivet på typeskiltet. Maskinen arbejder på enkeltfasets vekselspænding og er dobbeltisoleret iht. de europæiske normer og må derfor tilsluttes en stikkontakt uden jordtilslutning.

## Sikkerhedsforskrifter

For Deres egen sikkerheds skyld bør De sætte Dem ind i sikkerhedsforskrifterne.

## SPECIFIKKE SIKKERHEDSFORSKRIFTER

**LAD IKKE bekvemmelighed og kendskab til produktet (opnået gennem gentagen anvendelse) forhindre Dem i nøje at overholde sikkerhedsforskrifterne for dekupørsaven. Hvis dette el-værktøj anvendes på en måde, som ikke er sikkerhedsmæssig forsvarlig eller på en forkert måde, kan resultatet blive alvorlige kvæstelser.**

1. Hold altid el-værktøj i de isolerede greb, når der udføres arbejde, hvor den skærende maskine kan komme i berøring med skjulte ledninger eller dens egen ledning. Berøring med en "strømførende" ledning vil gøre maskinens metaldele "strømførende" og give operatøren stød.
2. Anvend skruetvinger eller en anden praktisk måde at fastholde og støtte arbejdsstykket på en stabil flade. Hvis De holder arbejdsstykket fast med hånden eller holder det mod kroppen, vil det blive ustabil, hvilket kan føre til, at De mister kontrollen over det.
3. Anvend altid sikkerhedsbriller eller beskyttelsesbriller. Almindelige briller og solbriller er IKKE sikkerhedsbriller.

4. Undgå at save i søm og skruer. Tjek emnet for søm og skruer og fjern sådanne, før arbejdet påbegyndes.
5. Skær ikke i overdimensionerede emner.
6. Tjek for tilstrækkelig frigang under emnet, så klingens ikke rammer gulv, arbejdsbænk eller lignende.
7. Hold maskinen fast med begge hænder.
8. Vær sikker på at klingens ikke er i kontakt med emnet, når maskinen tændes.
9. Hold hænderne borte fra bevægelige dele.
10. Sluk altid værktøjet når det ikke benyttes. Brug kun værktøjet som håndværktøj.
11. Sluk altid værktøjet og vent til klingens er helt stoppet, før De fjerner klingens fra emnet.
12. Undlad at røre klingens eller emnet umiddelbart efter brugen. Klingens og emne kan være meget varme og forårsage forbrændinger.
13. Anvend ikke maskinen unødvendigt uden belastning.
14. Visse materialer indeholder kemikalier, som kan være giftige. Vær påpasselig med ikke at indånde støv eller få disse materialer på huden. Følg sikkerhedsforskrifterne fra fabrikanten af materialet.
15. Anvend altid en korrekt støvmaske/respirator, som passer til det materiale og den arbejdsmetode. De anvender.

### GEM DISSE FORSKRIFTER.

#### ADVARSEL:

MISBRUG eller forsømmelse af at følge de i denne brugsvejledning givne sikkerhedsforskrifter kan føre til, at De kommer alvorligt til skade.

## FUNKTIONSBESKRIVELSE

### FORSIGTIG:

- Sørg altid for at maskinen er slukket og netstikket er trukket ud, før der udføres justering eller eftersyn af maskinens funktioner.

### Valg af savemåde (Til modellerne 4328/4329) (Fig. 1)

Denne maskine kan save med penduludsving eller en lineær bevægelse (op og ned). Savemåden med penduludsving støder klingens fremad samtidig med slagets og forøger savehastigheden betydeligt.

For at skifte savemåde drejes savemådevælgeren blot hen på positionen for den ønskede savemåde.

Se tabellen herunder for at vælge den rigtige skæremåde.

Position	Klingebevægelse	Anvendelse
0	Lineær	Savning i alm. stål, rustfrit stål og plastic.
		Rent snit i træ og krydsfiner.
I	Med lille penduludsving	Savning i alm. stål, aluminium og hårdt træ.
II	Med medium penduludsving	Savning i træ og krydsfiner.
		Hurtigsavning i aluminium og alm. stål.
III	Med kraftigt penduludsving	Hurtigsavning i træ og krydsfiner.

### Afbryderkontakt (Fig. 2)

#### FORSIGTIG:

- Før maskinen sættes til netstikket, skal De altid kontrollere, at afbryderkontakten fungerer korrekt og returnerer til "OFF" positionen, når den slippes.

Tryk på afbryderkontakten for at starte maskinen. Slip afbryderkontakten for at stoppe maskinen.

Ved vedvarende arbejde trykkes på afbryderkontakten, hvorefter låseknappen trykkes ind.

For at stoppe maskinen fra denne låste indstilling trykkes afbryderkontakten helt i bund, hvorefter den slippes.

### Hastighedsvælger (Til modellerne 4327/4328/4329) (Fig. 3)

Maskinhastigheden kan justeres til mellem 500 og 3 100 slag per minut ved at drejes på hastighedsvælgeren. Der opnås højere hastighed, når knappen drejes i retning mod 6; lavere hastighed opnås ved at dreje den i retning af 1.

Se tabellen herunder for at finde den korrekte hastighed til det emne, der skal saves. Den passende hastighed kan dog svinge alt efter emnets type eller tykkelse. Generelt vil højere hastighed gøre det muligt at save emner hurtigt, men savklingens levetid vil blive kortere.

Emne der skal saves	Tal på hastighedsvælgeren
Træ	5 – 6
Smedestål	3 – 6
Rustfrit stål	3 – 4
Aluminium	3 – 6
Plastic	1 – 4

#### FORSIGTIG:

- Hvis maskinen anvendes uafbrudt ved lave hastigheder i længere tid, vil motoren blive overbelastet og overophedet.
- Hastighedsvælgeren kan kun drejes så langt som til 6 og tilbage til 1. Tving den ikke forbi 6 eller 1, da hastighedsvælgerfunktionen ellers kan gå i stykker.

## SAMLING

### FORSIGTIG:

- Sørg altid for at maskinen er slukket, og netstikket er trukket ud, før der udføres noget arbejde på maskinen.

## Montering og afmontering af savklinge

### (Fig. 4 og 5)

### FORSIGTIG:

- Sørg for altid at fjerne spåner eller andre fremmedlegemer, der måtte klæbe til klingens og/eller klingeholderen. Forsømmelse af dette kan resultere i utilstrækkelig tilspænding af klingens, hvilket kan medføre alvorlig tilskadekomst.
- Rør ikke ved klingens eller emnets umiddelbart efter anvendelse. De kan begge være meget varme og forårsage hudforbrænding ved berøring.
- Stram altid klingens ordentligt til. Utilstrækkelig tilstramning af klingens kan føre til, at klingens brækker og til personskade.
- Anvend kun klinger af B-typen. Anvendelse af andre typer klinger end B-typen giver en utilstrækkelig stramning af klingens, hvilket kan resultere i alvorlig personskade.

Klingens monteres ved at man løsner bolten i retningen mod uret på klingeholderen med en sekskantnøgle.

Med klingens tænder vendende fremad, sættes klingens så langt som muligt ind i klingeholderen. Sørg for, at bagkanten af klingens passer ind rullen. Stram derefter bolten i retningen med uret for at fastholde klingens.

Klingens tages ud ved at man følger monteringsproceduren i modsat arbejdsretning.

### BEMÆRK:

- Smør af og til trykrullen.

## Opbevaring af unbrakonøglen (Fig. 6)

Når sekskantnøglen ikke er i brug, skal den opbevares som vist på illustrationen, så den ikke forsvinder.

## Justering af trykrulle (Til modellerne 4326/4327)

### (Fig. 7)

Løsn bolten på undersiden af maskinens sål med unbrakonøglen. Flyt holderen, så trykrullen bringes i let kontakt med klingens. Stram dernæst bolten til for at fastgøre maskinens sål og holderen.

### BEMÆRK:

- Smør af og til trykrullen.

## Støvdæksel (Fig. 8)

### ADVARSEL:

- Bær altid sikkerhedsbriller, selv når maskinen anvendes med støvdækslet sænket.

Sænk støvdækslet for at forhindre spåner i at flyve ud. Når der imidlertid laves geringssnit, skal det hæves helt op.

## BETJENING

### FORSIGTIG:

- Hold altid maskinens sål plant med emnet. Hvis sålen ikke ligger plant med emnet, er der stor risiko for at klingens brækker, hvilket kan medføre alvorlig tilskadekomst.
- Fremfør maskinen meget langsomt, når der skæres kurver eller der rulles. Hvis værktøjet presses, kan det føre til en skæv skæreflade og at klingens brækker.

Tænd for maskinen uden at klingens er i kontakt med emnet, og vent til klingens er kommet op på fuld hastighed. Lad derefter maskinens sål hvile plant på arbejdsområdet og flyt forsigtigt maskinen langs den allerede markerede skæreflinje. (Fig. 9)

## Geringssnit

### FORSIGTIG:

- Kontrollér altid, at maskinen er slået fra, og at netstikket er trukket ud af stikkontakten, før maskinens sål skrånstilles.
- Hæv støvhætten helt, før der laves geringssnit.

Med maskinens sål kippet på skrå, kan man lave skrånstik i enhver vinkel mellem 0° og 45° (venstre eller højre).

### (Fig. 10)

Løsn bolten på undersiden af sålen med unbrakonøglen. Flyt maskinens sål, så bolten er anbragt i midten af den korsformede udskæring i maskinens sål. (Fig. 11)

Kip maskinens sål, indtil den ønskede geringsvinkel er opnået. Kanten af motorhuset angiver geringsvinklen ved hjælp af gradueringer. Stram derefter bolten for at fastholde sålen. (Fig. 12)

## Skæring mod kant (Fig. 13)

Løsn bolten på undersiden af maskinens sål med unbrakonøglen, og skub sålen helt bagud. Stram derefter bolten til for at fastgøre maskinens sål.

## Udskæringer

Udskæringer kan laves ved hjælp af metode A eller B.

### A) Boring af et starthul

Ved indvendige udskæringer, uden et indførende savspor fra en kant, startes med at der bores et starthul med en diameter på 12 mm eller mere. Før savklingen ned i dette hul for at starte savningen. (Fig. 14)

### B) Dyksnit

Det er ikke nødvendigt at bore et starthul, eller lave et indførende savspor fra en kant, hvis følgende udføres omhyggeligt:

1. Vip maskinen op, så den hviler på forkanten af sålen, med klingespidsen placeret lige over emnets overflade. (Fig. 15)
2. Læg tryk på maskinen, så forkanten af sålen ikke forskubber sig, når maskinen tændes, og sænk så forsigtigt den bagerste del af maskinen.
3. I takt med at klingens trænger igennem emnet, sænkes maskinens sål langsomt ned på emnets overflade.
4. Fuldfør derefter savningen på normal vis.

## Afglatning af kanter (Fig. 16)

For at trimme kanter eller foretage dimensionelle justeringer køres klingens let hen langs kanten ad savsporet.



## Savning af metal

Anvend altid et passende kølemiddel (skæreolie), når der saves metal. Anvendes der ikke et kølemiddel, medfører det unødvendigt slid på savklingen. I stedet for at anvende et kølemiddel kan undersiden af emnet smøres.

## Støvsugning (Fig. 17)

Ved at tilslutte denne maskine til en Makita støvsuger kan der saves, uden at det støver eller snavser til. Sæt støvsugerslangen ind i hullet på bagkanten af maskinen. Sænk støvhætten før anvendelse.

### BEMÆRK:

- Støvsugning kan ikke udføres i forbindelse med geringsnsnit.

## Parallelanslag (ekstraudstyr)

### FORSIGTIG:

- Kontrollér altid, at maskinen er slået fra, og at netstikket er trukket ud af stikkontakten, før der monteres eller afmonteres ekstraudstyr.

### 1) Lige snit (Fig. 18, 19, 20 og 21)

Når der gentagne gange skal saves bredder på 160 mm eller mindre, vil anvendelse af parallelanslag sikre en hurtig, ren og lige savning.

Installér parallelanslaget ved at sætte det ind i det rektangulære hul på siden af sålen, med anlægsskinnen nedad.

Skyd parallelanslaget til den ønskede skæreviddeposition, og stram dernæst bolten til for at holde det på plads.

### 2) Cirkelsnit (Fig. 22, 23, 24 og 25)

Når der saves cirkler eller buer med en radius på 170 mm eller mindre, installeres parallelanslaget som følger:

Sæt parallelanslaget ind i det rektangulære hul på siden af sålen, med anlægsskinnen opad. Før centrérspidsen ind gennem et af de to huller i anlægsskinnen. Fastgør centrérspids ved at skrue kuglegrebet på den.

Skyd nu parallelanslaget til den ønskede saveradius, og stram bolten for at holde anslaget på plads. Flyt derefter maskinens sål hele vejen frem.

### BEMÆRK:

- Anvend altid klingerne Nr. B-17, B-18, B-26 eller B-27, når der saves cirkler eller buer.

## Antisplint-anordning til stålsål (ekstraudstyr)

### (Fig. 26)

For at opnå savninger uden flossede kanter kan antisplint-anordningen anvendes. For at montere denne, skal man flytte sålen hele vejen frem og sætte den ind mellem de to fremspring på sålen.

### BEMÆRK:

- Antisplint-anordningen kan ikke anvendes, når man laver geringsnsnit.

## Antisplint-anordning til aluminiumssål (ekstraudstyr) (Fig. 27)

For at opnå savninger uden flossede kanter kan antisplint-anordningen anvendes. For at montere antisplint-anordningen flyttes maskinens sål helt fremad, hvorefter anordningen sættes på sålen nedenfra. Når De anvender fodpladen, skal antisplint-anordningen monteres oven på fodpladen.

### FORSIGTIG:

- Antisplint-anordning kan ikke anvendes ved geringsnsnit.

## Afdækningsplade til aluminiumssål (ekstraudstyr) (Fig. 28)

Anvend fodpladen, når der saves finer, plastmaterialer og lignende. Fodpladen beskytter sarte og modtagelige overflader mod ridser og skrammer. Anbring fodpladen på maskinens sål nedenfra.

## VEDLIGEHOLDELSE

### FORSIGTIG:

- Sørg altid for, at maskinen er slukket og taget ud af forbindelse, før der foretages inspektion eller vedligeholdelse.

For at opretholde produktets SIKKERHED og PÅLIDELIGHED, må istandsættelse, eftersyn af kulbørster og udskiftning af dele samt alle andre vedligeholdelsesarbejder og justeringer kun udføres af et autoriseret Makita-servicecenter, og der må kun anvendes udskiftningsdele fra Makita.

## TILBEHØR

### FORSIGTIG:

- Dette udstyr og tilbehør bør anvendes sammen med Deres Makita maskine, sådan som det er beskrevet i denne brugsanvisning. Anvendelse af andet udstyr eller tilbehør kan udgøre en risiko for personskade. Tilbehøret bør kun anvendes til det, det er beregnet til.


Hvis De behøver hjælp ved valg af tilbehør eller ønsker yderligere informationer, bedes De kontakte Deres lokale Makita service center.

- Stiksavsklinge
- Unbrakonøgle 3
- Parallelanslagssæt (støttefæringsssæt)
- Antisplint-anordning
- Slange (Til støvsuger)
- Fodplade (Til type med aluminiumssål)

## Περιγραφή γενικής άποψης

1 Λεβιές αλλαγής τρόπου κοπής	11 Συγκρατητής	22 Πρόσοψη οδηγού
2 Διακόπτης σκανδάλης	12 Βάση	23 Προστατευτικός οδηγός
3 Κουμπί ασφάλισης	13 Κάλυμμα σκόνης	24 Κουμπί με σπείρωμα
4 Καντράν ρύθμισης ταχύτητας	14 Γραμμή κοπής	25 Πείρος
5 Στήριγμα λάμας	15 Ακρη	26 Συσκευή αποφυγής σκληθρών
6 Μπουλόνι	16 Διαβαθμίσεις	27 Προεξοχές
7 Εξαγωνικό κλειδί	17 Τρύπα ξεκινήματος	28 Τύπος βάσης αλουμινίου
8 Λάμα	18 Σωλήνα	29 Πλάκα καλύμματος
9 Κύλινδρος	19 Τύπος ατσάλινης βάσης	
10 Αγκιστρο	20 Προστατευτικό σχισίματος (Οδηγός κανόνας)	
	21 Τύπος βάσης αλουμινίου	

## ΤΕΧΝΙΚΑ ΧΑΡΑΚΤΗΡΙΣΤΙΚΑ

Μοντέλο		4326	4327	4328	4329
Μήκος διαδρομής		18 χιλ.	18 χιλ.	18 χιλ.	18 χιλ.
Τύπος λάμας		Τύπου Β			
Μεγ. ικανότητα κοπής	Ξύλο	65 χιλ.	65 χιλ.	65 χιλ.	65 χιλ.
	Μαλακός Χάλυβας	6 χιλ.	6 χιλ.	6 χιλ.	6 χιλ.
Διαδρομές ανά λεπτό (λεπ <sup>-1</sup> )		3.100	500 – 3.100	500 – 3.100	500 – 3.100
Ολικό μήκος	217 χιλ. (Τύπος ατσάλινης βάσης)	217 χιλ. (Τύπος ατσάλινης βάσης)	217 χιλ.	223 χιλ.	
	223 χιλ. (Τύπος βάσης αλουμινίου)	223 χιλ. (Τύπος βάσης αλουμινίου)			
Καθαρό βάρος	1,8 Χγρ. (Τύπος ατσάλινης βάσης)	1,8 Χγρ. (Τύπος ατσάλινης βάσης)	1,8 Χγρ.	1,9 Χγρ.	
	1,9 Χγρ. (Τύπος βάσης αλουμινίου)	1,9 Χγρ. (Τύπος βάσης αλουμινίου)			
Κατηγορία ασφάλειας		 II			

- Λόγω του συνεχιζόμενου προγράμματος έρευνας και ανάπτυξης, οι παρούσες προδιαγραφές υπόκεινται σε αλλαγή χωρίς προειδοποίηση.
- Παρατήρηση: Τα τεχνικά χαρακτηριστικά μπορεί να διαφέρουν από χώρα σε χώρα.

## Προοριζόμενη χρήση

Το εργαλείο προορίζεται για πριόνισμα ξύλου, πλαστικών και μεταλλικών υλικών. Ως αποτέλεσμα του εκτεταμένου προγράμματος εξαρτημάτων και λαμών πριονισμού, το εργαλείο μπορεί να χρησιμοποιηθεί για πολλούς σκοπούς και είναι πολύ κατάλληλο για καμπύλες ή κυκλικές κοπές.

## Ρευματοδότηση

Το μηχάνημα πρέπει να συνδέεται μόνο σε παροχή ρεύματος της ίδιας τάσης με αυτή που αναφέρεται στην πινακίδα κατασκευαστού και μπορεί να λειτουργήσει μόνο με εναλλασσόμενο μονοφασικό ρεύμα. Τα μηχανήματα αυτά έχουν διπλή μόνωση σύμφωνα με τα Ευρωπαϊκά Πρότυπα και κατά συνέπεια, μπορούν να συνδεθούν σε ακροδέκτες χωρίς σύρμα γείωσης.

## Υποδείξεις ασφάλειας

Για την προσωπική σας ασφάλεια, ανατρέξτε στις εσώκλειστες οδηγίες ασφάλειας.

## ΕΙΔΙΚΟΙ ΚΑΝΟΝΕΣ ΑΣΦΑΛΕΙΑΣ

ΜΗΝ επιτρέπετε στη βολικότητα και εξοικείωση με το προϊόν (που αποκτήθηκε με επανειλημμένη χρήση) να αντικαταστήσει την αυστηρή προσήλωση στους κανόνες ασφάλειας του λεπτού πριονιού. Εάν χρησιμοποιείτε το ηλεκτρικό εργαλείο αυτό χωρίς ασφάλεια ή με πλημμελή τρόπο, μπορεί να υποστείτε σοβαρό προσωπικό τραυματισμό.

1. Κρατάτε τα ηλεκτρικά εργαλεία από τις μονωμένες επιφάνειες κρατήματος όταν εκτελείτε μία εργασία όπου το κοπτικό εργαλείο μπορεί να κάνει επαφή με κρυμμένα σύρματα ή και με το δικό του κορδόνι. Επαφή με ένα “ηλεκτροφόρο” σύρμα θα κάνει όλα τα εκτεθειμένα μεταλλικά μέρη του εργαλείου “ηλεκτροφόρα” και θα προκληθεί ηλεκτροπληξία στον χειριστή.
2. Χρησιμοποιείτε σφινγκήρες ή κάποιο άλλο πρακτικό μέσο για να ασφαρίζετε και υποστηρίζετε το τεμάχιο εργασίας σε μία σταθερή βάση. Το κράτημα του τεμαχίου εργασίας με το χέρι ή με το σώμα το αφήνει ασταθές και μπορεί να οδηγήσει σε απώλεια ελέγχου.
3. Πάντοτε χρησιμοποιείτε γυαλιά ασφάλειας ή ματογυαλιά. Τα συνήθη γυαλιά ή γυαλιά ηλίου δεν είναι γυαλιά ασφάλειας.
4. Αποφύγετε την κοπή καρφιών. Εξετάστε το αντικείμενο εργασίας για τυχόν καρφιά και αφαιρέστε τα πριν την λειτουργία κοπής.
5. Μη κόβετε υπερμεγέθη αντικείμενα.
6. Ελέγξτε για αρκετή απόσταση πέραν του αντικειμένου εργασίας πριν την κοπή ώστε η λάμα να μη χτυπήσει το πάτωμα, το πάγκο εργασίας, κλπ.
7. Κρατάτε το μηχάνημα σταθερά.

## ΛΕΙΤΟΥΡΓΙΚΗ ΠΕΡΙΓΡΑΦΗ

ΠΡΟΣΟΧΗ:

- Πάντοτε βεβαιώνετε ότι το εργαλείο είναι σβηστό και αποσυνδεδεμένο από το ρεύμα πριν ρυθμίσετε ή ελέγξετε κάποια λειτουργία του εργαλείου.

### Επιλογή τρόπου κοπής (Για μοντέλα 4328/4329) (Εικ. 1)

Αυτό το μηχάνημα μπορεί να λειτουργήσει σε κίνηση κοπής περιστροφική ή ευθεία γραμμή (επάνω και κάτω). Η περιστροφική κίνηση κοπής ωθεί την λάμα προς τα εμπρός στην γραμμή κοπής και προοδευτικώς αυξάνει την ταχύτητα κοπής.

Για να αλλάξετε τον τρόπο κοπής, απλώς γυρίστε τον λεβιέ αλλαγής τρόπου κοπής στην επιθυμητή θέση τρόπου κοπής.

Αναφερθείτε στον πίνακα για να επιλέξετε τον κατάλληλο τρόπο κοπής.

Θέση	Κίνηση κοπής	Εφαρμογές
0	Κίνηση κοπής ευθεία γραμμή	Για κοπή μαλακού χάλυβα, ανοξείδωτου χάλυβα και πλαστικών. Για καθαρές κοπές σε ξύλο και καπλαμά.
I	Κίνηση κοπής μικρή περιστροφική	Για κοπή μαλακού χάλυβα, αλουμινίου και σκληρού ξύλου.
II	Κίνηση κοπής μέτρια περιστροφική	Για κοπή ξύλου και καπλαμά. Για γρήγορη κοπή αλουμινίου και μαλακού χάλυβα.
III	Κίνηση κοπής μεγάλη περιστροφική	Κίνηση κοπής μεγάλη περιστροφική Για γρήγορη κοπή ξύλου και καπλαμά.

8. Βεβαιωθείτε ότι η λάμα δεν αγγίζει το αντικείμενο εργασίας πριν ανάψετε το διακόπτη.
9. Κρατάτε τα χέρια σας μακριά από τα περιστρεφόμενα μέρη.
10. Μην αφήνετε το μηχάνημα αναμμένο. Βάζετε σε λειτουργία το μηχάνημα μόνο όταν το κρατάτε στα χέρια.
11. Πάντοτε σβήνετε το μηχάνημα και περιμένετε τη λάμα να σταματήσει τελείως πριν αφαιρέσετε τη λάμα από το αντικείμενο εργασίας.
12. Μην αγγίζετε την αιχμή ή το αντικείμενο εργασίας άμεσα μετά τη λειτουργία, γιατί μπορεί να είναι εξαιρετικά θερμά και να σας προκαλέσουν εγκαύματα.
13. Μη λειτουργείτε το εργαλείο χωρίς - φορτίο όταν δεν είναι απαραίτητο.
14. Μερικά υλικά περιέχουν χημικά που μπορεί να είναι τοξικά. Προσέχετε να αποφύγετε εισπνοή σκόνης και δερματική επαφή. Ακολουθείτε τα δεδομένα ασφάλειας του προμηθευτή υλικών.
15. Πάντοτε χρησιμοποιείτε τη σωστή προσοπίδα/ αναπνευστήρα σε σχέση με το υλικό και την εφαρμογή στην οποία εργάζεστε.

## ΦΥΛΑΞΕΤΕ ΑΥΤΕΣ ΤΙΣ ΟΔΗΓΙΕΣ.

### ΠΡΟΕΙΔΟΠΟΙΗΣΗ:

ΚΑΚΗ ΧΡΗΣΗ ή αμέλεια να ακολουθήσετε τους κανόνες ασφάλειας που διατυπώνονται σ'αυτό το εγχειρίδιο οδηγιών μπορεί να προκαλέσει σοβαρό προσωπικό τραυματισμό.

## Λειτουργία διακόπτη (Εικ. 2)

### ΠΡΟΣΟΧΗ:

- Πριν συνδέσετε το μηχάνημα στο ρεύμα, πάντοτε να ελέγχετε να δείτε ότι ο διακόπτης σκανδάλης ενεργοποιείτε κανονικά και επιστρέφει στη θέση "OFF" όταν ελευθερώνεται.

Για να ξεκινήσετε το μηχάνημα, απλά πατήστε τη σκανδάλη. Για να σταματήσετε αφήστε τη σκανδάλη. Για συνεχή λειτουργία, πατήστε τη σκανδάλη και μετά πιέστε μέσα το κουμπί ασφάλισης.

Για να σταματήσετε το μηχάνημα από την ασφαλισμένη θέση, πατήστε τη σκανδάλη μέχρι τέρμα και μετά αφήστε την.

### Καντράν ρύθμισης ταχύτητας (Για μοντέλα 4327/4328/4329) (Εικ. 3)

Η ταχύτητα του μηχανήματος μπορεί να ρυθμιστεί απεριόριστα μεταξύ 500 και 3.100 διαδρομών το λεπτό με περιστροφή του καντράν ρύθμισης. Μεγαλύτερη ταχύτητα επιτυγχάνεται όταν το καντράν περιστραφεί στη διεύθυνση του νούμερου 6; χαμηλότερη ταχύτητα επιτυγχάνεται όταν το καντράν περιστραφεί στη διεύθυνση του νούμερου 1.

Αναφερθείτε στον παρακάτω πίνακα για να επιλέξετε την κατάλληλη ταχύτητα για κατεργαζόμενο κομμάτι που πρόκειται να κοπεί. Ωστόσο, η κατάλληλη ταχύτητα μπορεί να διαφέρει ανάλογα με τον τύπο ή το πάχος του κατεργαζόμενου κομματιού. Γενικά, μεγαλύτερες ταχύτητες θα σας επιτρέψουν να κόψετε κατεργαζόμενα κομμάτια γρηγορότερα αλλά θα ελαττωθεί η διάρκεια λειτουργίας της λάμας.

Κομμάτι προς κοπή	Αριθμός στο καντράν
Ξύλο	5 – 6
Μαλακός Χάλυβας	3 – 6
Ανοξειδωτος Χάλυβας	3 – 4
Αλουμίνιο	3 – 6
Πλαστικά	1 – 4

### ΠΡΟΣΟΧΗ:

- Εάν το εργαλείο λειτουργεί συνεχώς σε χαμηλές ταχύτητες για μεγάλο χρονικό διάστημα, ο κινητήρας θα υπερφορτωθεί και θα υπερθερμανθεί.
- Το καντράν ρύθμισης ταχύτητας μπορεί να περιστραφεί μόνο μέχρι το 6 και πίσω μέχρι το 1. Μην το ζορίσετε να ξεπεράσει το 6 ή 1, διαφορετικά η δυνατότητα ρύθμισης ταχύτητας μπορεί να μη λειτουργεί μετά.

## ΣΥΝΑΡΜΟΛΟΓΗΣΗ

### ΠΡΟΣΟΧΗ:

- Πάντοτε βεβαιώνετε ότι το εργαλείο είναι σβηστό και αποσυνδεδεμένο πριν εκτελέσετε οποιαδήποτε εργασία στο εργαλείο.

### Τοποθέτηση ή αφαίρεση λαμών πριονιού (Εικ. 4 και 5)

#### ΠΡΟΣΟΧΗ:

- Πάντοτε καθαρίστε όλα τα προσκολλημένα στη λάμα ή στο στήριγμα της λάμας πριονίδια ή ξένα υλικά. Εάν δεν γίνει αυτό, μπορεί να γίνει αιτία για ανεπαρκές σφίξιμο της λάμας και να καταλήξει σε σοβαρό τραυματισμό.
- Μην αγγίζετε την λάμα ή το αντικείμενο εργασίας αμέσως μετά την λειτουργία, γιατί μπορεί να είναι εξαιρετικά θερμά και να σας προκαλέσουν εγκαύματα.
- Πάντοτε ασφαλίστε την λάμα σταθερά. Ανεπαρκές σφίξιμο της λάμας μπορεί να προκαλέσει σπάσιμο της λάμας ή σοβαρό προσωπικό τραυματισμό.
- Χρησιμοποιείτε μόνο λάμες τύπου Β. Η χρησιμοποίηση άλλων λαμών εκτός τύπου Β προκαλεί ανεπαρκές σφίξιμο της λάμας, και έχει ως αποτέλεσμα σοβαρό προσωπικό τραυματισμό.

Για να τοποθετήσετε την λάμα, χαλαρώστε το μπουλόνι αριστερόστροφα στη θήκη της λάμας με το εξαγωνικό κλειδί.

Με τα δόντια της λάμας να βλέπουν προς τα εμπρός, βάλτε την λάμα μέσα στην θήκη λάμας όσο βαθιά μπορεί να πάει. Βεβαιωθείτε ότι η πίσω άκρη της λάμας εφαρμόζει στον κύλινδρο. Μετά σφίχτε το μπουλόνι δεξιόστροφα για να ασφαλίσετε την λάμα.

Για να αφαιρέσετε την λάμα, ακολουθείστε την διαδικασία εγκατάστασης αντίστροφα.

#### ΣΗΜΕΙΩΣΗ:

- Περιστασιακά λιπαίνετε τον κύλινδρο.

### Φύλαξη εξαγωνικού κλειδιού. (Εικ. 6)

Όταν δεν χρησιμοποιείται, αποθηκεύστε το εξαγωνικό κλειδί όπως φαίνεται στην εικόνα για να μη χαθεί.

### Ρύθμιση κυλίνδρου (Για μοντέλα 4326/4327) (Εικ. 7)

Χαλαρώστε το μπουλόνι στο πίσω μέρος της βάσης του μηχανήματος με το εξαγωνικό κλειδί. Μετακινήστε το συγκρατητή έτσι ώστε ο κύλινδρος να ακουμπά ελαφρά τη λάμα. Μετά σφίξτε το μπουλόνι για να στερεώσετε τη βάση του μηχανήματος και το συγκρατητή.

#### ΠΑΡΑΤΗΡΗΣΗ:

- Περιστασιακά λιπαίνεται τον κύλινδρο.

### Κάλυμμα σκόνης (Εικ. 8)

#### ΠΡΟΣΟΧΗ:

- Πάντοτε να φοράτε προστατευτικά κυάλια, ακόμα και όταν λειτουργείτε το μηχάνημα με κατεβάσμενο το κάλυμμα σκόνης.

Κατεβάστε το κάλυμμα σκόνης για να εμποδίσετε το πέταγμα ρινομιάτων. Ωστόσο όταν πραγματοποιείτε λοξοτομές, σηκώστε το μέχρι πάνω.

## ΛΕΙΤΟΥΡΓΙΑ

### ΠΡΟΣΟΧΗ:

- Πάντοτε κρατάτε τη βάση του μηχανήματος ευθυγραμμισμένη με το κατεργαζόμενο κομμάτι. Εάν το παραλείψετε, μπορεί να προκληθεί θραύση της λάμας, με αποτέλεσμα σοβαρό τραυματισμό.
- Προωθείτε το εργαλείο πολύ σιγά όταν κόβετε κάμπυλες ή κάνετε κύλισμα. Εξαναγκασμός του εργαλείου μπορεί να προκαλέσει λοξή επιφάνεια κοπής και σπάσιμο της λάμας.

Ανάψτε το εργαλείο χωρίς η λάμα να κάνει καμιά επαφή και περιμένετε μέχρι να αποκτήσει η λάμα πλήρη ταχύτητα. Μετά, ακουμπήστε το μηχανήμα ομοιόμορφα στο κατεργαζόμενο κομμάτι και κινήστε απαλά το μηχανήμα προς τα εμπρός κατά μήκος της γραμμής κοπής που έχει σηματοδοτηθεί από πριν. **(Εικ. 9)**

### Λοξότμηση

#### ΠΡΟΣΟΧΗ:

- Πάντοτε βεβαιώνετε ότι το μηχανήμα είναι σβηστό και βγαλμένο από την πρίζα πριν δώσετε κλίση στη βάση του μηχανήματος.
- Σηκώστε το κάλυμμα σκόνης μέχρι επάνω πριν κάνετε λοξοτομές.

Δίνοντας κλίση στην βάση του εργαλείου, μπορείτε να κάνετε λοξοτομές σε οποιαδήποτε γωνία μεταξύ 0° και 45° (αριστερά ή δεξιά). **(Εικ. 10)**

Χαλαρώστε το μπουλόνι στο πίσω μέρος της βάσης με το εξαγωνικό κλειδί. Μετακινήστε τη βάση του μηχανήματος έτσι ώστε το μπουλόνι να είναι τοποθετημένο στο κέντρο της εγκοπής σε σχήμα σταυρού στη βάση του μηχανήματος. **(Εικ. 11)**

Δώστε κλίση στη βάση μέχρι να επιτύχετε την επιθυμητή λοξή γωνία.

Η άκρη του κουβουκλιού κινητήρα φέρει τις εγκοπές κλίματος λοξής γωνίας. **(Εικ. 12)**

### Εμπρόσθιες ευθυγραμμισμένες κοπές (Εικ. 13)

Χαλαρώστε το μπουλόνι στο πίσω μέρος της βάσης του μηχανήματος με το εξαγωνικό κλειδί, μετά μετακινήστε τη βάση του μηχανήματος μέχρι τέρμα προς τα πίσω. Μετά σφίξτε το μπουλόνι για να στερεώσετε τη βάση του μηχανήματος.

### Αποκοπή

Αποκοπές μπορούν να γίνουν με τη μια ή με την άλλη από τις μεθόδους, Α ή Β.

#### Α) Με άνοιγμα τρύπας εκκίνησης

Για εσωτερικές αποκοπές χωρίς αρχικό κόψιμο από μια άκρη, προ-τρυπήστε μια τρύπα εκκίνησης 12 χιλ. ή περισσότερο. Εισάγετε τη λάμα μέσα σε αυτή την τρύπα και ξεκινήστε τη κοπή σας. **(Εικ. 14)**

## Β) Κοπές βύθισης

Δε χρειάζεται να ανοίξετε τρύπα εκκίνησης ή να κάνετε μια αρχική κοπή εάν προσεκτικά κάνετε όπως ακολούθως.

1. Δώστε κλίση στο μηχανήμα προς τα επάνω, σε σχέση με την μπροστινή μεριά της βάσης, με τη λάμα τοποθετημένη λίγο πάνω από την επιφάνεια του κατεργαζόμενου κομματιού. **(Εικ. 15)**
2. Εφαρμόστε πίεση στο μηχανήμα, έτσι ώστε η μπροστινή μεριά της βάσης να μην μετακινηθεί όταν ανάψετε το μηχανήμα και μαλακά χαμηλώστε σιγά-σιγά το πίσω μέρος της βάσης του μηχανήματος.
3. Καθώς η λάμα διαπερνά το κατεργαζόμενο κομμάτι, σιγά-σιγά χαμηλώστε τη βάση του μηχανήματος κάτω προς την επιφάνεια του κατεργαζόμενου κομματιού.
4. Ολοκληρώστε την κοπή με τον κανονικό τρόπο.

### Τελειώματα γωνιών (Εικ. 16)

Για να καθαρίσετε τις γωνίες ή να κάνετε ρυθμίσεις στις διαστάσεις, κάντε ένα πέρασμα με τη λάμα κατά μήκος των κομμένων πλευρών.

### Κοπή μετάλλων

Πάντοτε χρησιμοποιείτε ένα κατάλληλο ψυκτικό (έλαιο κοπής) όταν κόβετε μέταλλα. Εάν δεν το κάνετε αυτό θα προκληθεί σημαντική φθορά στη λάμα. Η κάτω πλευρά του κατεργαζόμενου κομματιού μπορεί να λιπανθεί αντί να χρησιμοποιηθεί ψυκτικό.

### Απομάκρυνση σκόνης (Εικ. 17)

Καθώς καταργάσεις κοπής μπορούν να πραγματοποιηθούν συνδέοντας αυτό το μηχανήμα με μια ηλεκτρική σκούπα Μάκιτα. Βάλτε το σωλήνα της σκούπας μέσα στη τρύπα στο πίσω μέρος του μηχανήματος. Κατεβάστε το κάλυμμα σκόνης πριν από τη χρήση.

#### ΣΗΜΕΙΩΣΗ:

- Απομάκρυνση σκόνης δεν μπορεί να πραγματοποιηθεί όταν κάνετε λοξοτομές.

### Προστατευτικό σχισίματος (προαιρετικό εξάρτημα)

#### ΠΡΟΣΟΧΗ:

Πάντοτε βεβαιώνετε ότι το μηχανήμα είναι σβηστό και βγαλμένο από τη πρίζα πριν τοποθετήσετε ή αφαιρέσετε εξάρτηματα.

#### 1) Ευθείες κοπές (Εικ. 18, 19, 20 και 21)

Όταν κόβετε επαναλαμβανόμενα πλάτη 160 χιλ. ή λιγότερο, χρησιμοποίηση του προστατευτικού σχισίματος εξασφαλίζει γρήγορη, καθαρή και ευθεία κοπή.

Για να τον τοποθετήσετε, βάλτε το προστατευτικό σχισίματος μέσα στην ορθογώνια τρύπα στην πλευρά της βάσης του μηχανήματος με τον προστατευτικό οδηγό να κοιτάει προς τα κάτω. Γλιστρίστε το προστατευτικό σχισίματος στη θέση του επιθυμητού πλάτος κοπής, και μετά σφίξτε τα μπουλόνια για να το στερεώσετε.

## 2) Κυκλικές κοπές (Εικ. 22, 23, 24 και 25)

Όταν κόβετε κύκλους ή τόξα ακτίνας 170 χιλ. ή λιγότερο, τοποθετείστε το προστατευτικό σχισίματος όπως ακολούθως.

Βάλτε το προστατευτικό σχισίματος μέσα στην ορθογώνια τρύπα στην πλευρά της βάσης του μηχανήματος με τον προστατευτικό οδηγό να κοιτάει προς τα πάνω. Βάλτε τον πείρο κυκλικής οδήγησης να περάσει και από τις δύο τρύπες του προστατευτικού οδηγού. Βιδώστε το κουμπί με το σπείρωμα πάνω στο πείρο για να στερεώσετε τον πείρο.

Μετά, γλυστρίστε το προστατευτικό σχισίματος στην επιθυμητή ακτίνα κοπής, και σφίξτε το μπουλόνι για να τον στερεώσετε στη θέση του. Μετά μετακινήστε τη βάση του μηχανήματος όσο πάει μπροστά.

ΣΗΜΕΙΩΣΗ:

- Πάντα χρησιμοποιείτε λάμες Νο. B17, B-18, B-26 ή B-27 όταν κόβεται κύκλους ή τόξα.

## Συσκευή αποφυγής σκληθρών για αστάλινη βάση (προαιρετικό εξάρτημα) (Εικ. 26)

Για κοπές χωρίς σκληθρές, χρησιμοποιείται η συσκευή αποφυγής σκληθρών. Για να τοποθετήσετε την συσκευή αποφυγής σκληθρών, μετακινείτε την βάση πλήρως προς τα εμπρός και βάλτε την μεταξύ των δύο προεξοχών της βάσης.

ΣΗΜΕΙΩΣΗ:

- Η συσκευή αποφυγής σκληθρών δεν μπορεί να χρησιμοποιηθεί όταν γίνονται λοξές κοπές.

## Συσκευή αποφυγής σκληθρών για βάση αλουμινίου. (προαιρετικό εξάρτημα) (Εικ. 27)

Για κοπές χωρίς σκληθρές μπορεί να χρησιμοποιηθεί η συσκευή αποφυγής σκληθρών. Για να εγκαταστήσετε την συσκευή αποφυγής σκληθρών μετακινήστε την βάση του εργαλείου όσο πάει εμπρός και προσαρμόστε την από το πίσω μέρος της βάσης του εργαλείου. Όταν χρησιμοποιείτε την πλάκα καλύμματος, τοποθετείτε την συσκευή αποφυγής σκληθρών επάνω στη πλάκα καλύμματος.

ΠΡΟΣΟΧΗ:

- Η συσκευή αποφυγής σκληθρών δεν μπορεί να χρησιμοποιηθεί όταν κάνετε λοξοτομές.

## Πλάκα κάλυψης για βάση αλουμινίου (προαιρετικό εξάρτημα) (Εικ. 28)

Χρησιμοποιήστε την πλάκα καλύμματος όταν κόβετε διακοσμητικούς καπλαμάδες, πλαστικά, κλπ. Προστατεύει τις ευαίσθητες ή λεπτές επιφάνειες από ζημιά. Προσαρμόστε την στο πίσω μέρος της βάσης του εργαλείου.

## ΣΥΝΤΗΡΗΣΗ

ΠΡΟΣΟΧΗ:

- Πάντοτε βεβαιώνετε ότι το εργαλείο είναι σβηστό και αποσυνδεδεμένο πριν επιχειρήσετε να εκτελέσετε επιθεώρηση ή συντήρηση.

Για να διατηρήσετε την ΑΣΦΑΛΕΙΑ και ΑΞΙΟΠΙΣΤΙΑ του προϊόντος, επισκευές, έλεγχος και αντικατάσταση των ψηκτρών άνθρακα, καθώς και οποιαδήποτε άλλη συντήρηση ή ρύθμιση πρέπει να εκτελούνται από Κέντρα Εξυπηρέτησης Εργοστασίου ή από Εξουσιοδοτημένα από την Μάκιτα Κέντρα, πάντοτε χρησιμοποιώντας ανταλλακτικά της Μάκιτα.

## ΕΞΑΡΤΗΜΑΤΑ

ΠΡΟΣΟΧΗ:

- Αυτά τα εξαρτήματα ή προσαρτήματα συνιστώνται για χρήση με το εργαλείο Μάκιτα που περιγράφηκε στις οδηγίες αυτές. Η χρήση οτιδήποτε άλλο εξαρτημάτων ή προσαρτημάτων μπορεί να προκαλέσει κίνδυνο τραυματισμού σε άτομα. Χρησιμοποιείτε τα εξαρτήματα ή προσαρτήματα μόνο για την χρήση που προορίζονται.

Εάν χρειάζεστε οποιαδήποτε βοήθεια για περισσότερες πληροφορίες σε σχέση με αυτά τα εξαρτήματα, αποτανθείτε στο τοπικό σας κέντρο εξυπηρέτησης Μάκιτα.

- Λάμα παλινδρομικού προιονιού
- Εξαγωνικό κλειδί 3
- Προστατευτικό σύνολο σχισίματος (Οδηγός κανόνας)
- Συσκευή αποφυγής σκληθρών
- Σωλήνα (Για σκούπα απορρόφησης)
- Πλάκα καλύμματος (Για τύπο βάσης αλουμινίου)

**ENGLISH****EC-DECLARATION OF CONFORMITY****Model; 4326, 4327, 4328, 4329**

We declare under our sole responsibility that this product is in compliance with the following standards of standardized documents;

EN60745, EN55014, EN61000

in accordance with Council Directives, 2004/108/EC and 98/37/EC.

**ITALIANO****DICHIARAZIONE DI CONFORMITÀ  
CON LE NORME DELLA COMUNITÀ EUROPEA****Modello; 4326, 4327, 4328, 4329**

Dichiariamo sotto la nostra sola responsabilità che questo prodotto è conforme agli standard di documenti standardizzati seguenti:

EN60745, EN55014, EN61000

secondo le direttive del Consiglio 2004/108/CE e 98/37/CE.

**FRANÇAISE****DÉCLARATION DE CONFORMITÉ CE****Modèle ; 4326, 4327, 4328, 4329**

Nous déclarons sous notre entière responsabilité que ce produit est conforme aux normes des documents standardisés suivants,

EN60745, EN55014, EN61000

conformément aux Directives du Conseil, 2004/108/EG et 98/37/EG.

**NEDERLANDS****EG-VERKLARING VAN CONFORMITEIT****Model; 4326, 4327, 4328, 4329**

Wij verklaren hierbij uitsluitend op eigen verantwoordelijkheid dat dit produkt voldoet aan de volgende normen van genormaliseerde documenten,

EN60745, EN55014, EN61000

in overeenstemming met de richtlijnen van de Raad 2004/108/EC en 98/37/EC.

**DEUTSCH****CE-KONFORMITÄTSERKLÄRUNG****Modell; 4326, 4327, 4328, 4329**

Hiermit erklärt wir unter unserer alleinigen Verantwortung, daß dieses Produkt gemäß den Ratsdirektiven 2004/108/EG und 98/37/EG mit den folgenden Normen von Normendokumenten übereinstimmen:

EN60745, EN55014, EN61000.

**ESPAÑOL****DECLARACIÓN DE CONFORMIDAD DE LA CE****Modelo; 4326, 4327, 4328, 4329**

Declaramos bajo nuestra sola responsabilidad que este producto cumple con las siguientes normas de documentos normalizados,

EN60745, EN55014, EN61000

de acuerdo con las directivas comunitarias, 2004/108/CE y 98/37/CE.

*Tomayasu Kato* **CE 2006**


Director	Amministratore
Directeur	Directeur
Direktor	Director

Responsible Manufacturer:	Produttore responsabile:
Fabricant responsable :	Verantwoordelijke fabrikant:
Verantwortlicher Hersteller:	Fabricante responsable:

**Makita Corporation**  
3-11-8, Sumiyoshi-cho, Anjo, Aichi, JAPAN

Authorized Representative in Europe:	Rappresentante autorizzato per l'Europa:
Représentant agréé en Europe :	Erkende vertegenwoordiger in Europa:
Autorisierte Vertretung in Europa:	Representante autorizado en Europa:

**Makita International Europe Ltd.**  
Michigan Drive, Tongwell, Milton Keynes, Bucks MK15 8JD, ENGLAND

**PORTUGUÊS****DECLARAÇÃO DE CONFORMIDADE DA CE****Modelo; 4326, 4327, 4328, 4329**

Declaramos sob inteira responsabilidade que este produto obedece às seguintes normas de documentos normalizados,

EN60745, EN55014, EN61000

de acordo com as directivas 2004/108/CE e 98/37/CE do Conselho.

**ΕΛΛΗΝΙΚΑ****ΔΗΛΩΣΗ ΣΥΜΜΟΡΦΩΣΗΣ ΕΚ****Μοντέλο; 4326, 4327, 4328, 4329**

Δηλώνουμε υπό την μοναδική μας ευθύνη ότι αυτό το προϊόν βρίσκεται σε Συμφωνία με τα ακόλουθα πρότυπα τυποποιημένων εγγράφων,

EN60745, EN55014, EN61000

σύμφωνα με τις Οδηγίες του Συμβουλίου, 2004/108/ΚΕ και 98/37/ΚΕ.

**DANSK****EU-DEKLARATION OM KONFORMITET****Model; 4326, 4327, 4328, 4329**

Vi erklærer hermed på eget ansvar, at dette produkt er i overensstemmelse med de følgende standarder i de normsættende dokumenter,

EN60745, EN55014, EN61000

i overensstemmelse med Rådets Direktiver 2004/108/EC og 98/37/EC.

Tomoyasu Kato CE 2006


Director  
Direktør

Διευθυντής

Fabricante responsável:  
Ansvarlig fabrikant:**Makita Corporation**

3-11-8, Sumiyoshi-cho, Anjo, Aichi, JAPAN

Υπεύθυνος κατασκευαστής:

Representador Autorizado na Europa:  
Autoriseret repræsentant i Europa:

Εξουσιοδοτημένος Αντιπρόσωπος στην Ευρώπη:

**Makita International Europe Ltd.**

Michigan Drive, Tongwell, Milton Keynes, Bucks MK15 8JD, ENGLAND



## ENGLISH

**Model; 4326, 4327**

**For European countries only**

### Noise

The typical A-weighted noise level determined according to EN60745-2-11:

Sound pressure level ( $L_{pA}$ ): 86 dB (A)

Sound power level ( $L_{WA}$ ): 97 dB (A)

Uncertainty (K): 3 dB (A)

**Wear ear protection.**

### Vibration

The vibration total value (tri-axial vector sum) determined according to EN60745-2-11:

Work mode: cutting chipboard

Vibration emission ( $a_{h,CW}$ ): 5 m/s<sup>2</sup>

Uncertainty (K): 1.5 m/s<sup>2</sup>

Work mode: cutting sheet metal

Vibration emission ( $a_{h,CM}$ ): 4.5 m/s<sup>2</sup>

Uncertainty (K): 1.5 m/s<sup>2</sup>

## FRANÇAISE

**Modèle ; 4326, 4327**

**Pour les pays d'Europe uniquement**

### Bruit

Niveau de bruit pondéré A typique, déterminé selon EN60745-2-11 :

Niveau de pression sonore ( $L_{pA}$ ) : 86 dB (A)

Niveau de puissance du son ( $L_{WA}$ ) : 97 dB (A)

Incertitude (K) : 3 dB (A)

**Porter des protecteurs anti-bruit.**

### Vibrations

Valeur totale de vibrations (somme de vecteur triaxial) déterminée selon EN60745-2-11 :

Mode de travail : coupe de panneaux de copeaux

Émission de vibrations ( $a_{h,CW}$ ) : 5 m/s<sup>2</sup>

Incertitude (K) : 1,5 m/s<sup>2</sup>

Mode de travail : coupe de tôle

Émission de vibrations ( $a_{h,CM}$ ) : 4,5 m/s<sup>2</sup>

Incertitude (K) : 1,5 m/s<sup>2</sup>

## DEUTSCH

**Modell; 4326, 4327**

**Nur für europäische Länder**

### Geräusch

Typischer A-bewerteter Geräuschpegel ermittelt gemäß EN60745-2-11:

Schalldruckpegel ( $L_{pA}$ ): 86 dB (A)

Schalleistungspegel ( $L_{WA}$ ): 97 dB (A)

Ungewissheit (K): 3 dB (A)

**Gehörschutz tragen.**

### Vibration

Vibrationsgesamtwert (Drei-Achsen-Vektorsumme) ermittelt gemäß EN60745-2-11:

Arbeitsmodus: Schneiden von Spanplatten

Vibrationsemission ( $a_{h,CW}$ ): 5 m/s<sup>2</sup>

Ungewissheit (K): 1,5 m/s<sup>2</sup>

Arbeitsmodus: Schneiden von Blechen

Vibrationsemission ( $a_{h,CM}$ ): 4,5 m/s<sup>2</sup>

Ungewissheit (K): 1,5 m/s<sup>2</sup>

## ITALIANO

**Modello; 4326, 4327**

**Modello per l'Europa soltanto**

### Rumore

Il tipico livello di rumore pesato A determinato secondo EN60745-2-11:

Livello pressione sonora ( $L_{pA}$ ): 86 dB (A)

Livello potenza sonora ( $L_{WA}$ ): 97 dB (A)

Incertezza (K): 3 dB (A)

**Indossare i paraorecchi.**

### Vibrazione

Il valore totale di vibrazione (somma vettore triassiale) determinato secondo EN60745-2-11:

Modelità operativa: Taglio dei truciolati

Emissione di vibrazione ( $a_{h,CW}$ ): 5 m/s<sup>2</sup>

Incertezza (K): 1,5 m/s<sup>2</sup>

Modelità operativa: Taglio delle lamiere

Emissione di vibrazione ( $a_{h,CM}$ ): 4,5 m/s<sup>2</sup>

Incertezza (K): 1,5 m/s<sup>2</sup>

## NEDERLANDS

**Model; 4326, 4327**

**Alleen voor Europese landen**

### Geluidsniveau

De typisch, A-gewogen geluidsniveaus vastgesteld volgens EN60745-2-11:

Geluidsdrukniveau ( $L_{pA}$ ): 86 dB (A)

Geluidsenergie-niveau ( $L_{WA}$ ): 97 dB (A)

Onnauwkeurigheid (K): 3 dB (A)

**Draag oorbeschermers.**

### Trilling

De totaalwaarde van de trillingen (triaxiale vectorsom) vastgesteld volgens EN60745-2-11:

Bedrijfsfunctie: spaanplaat zagen

Trillingsemissie ( $a_{h,CW}$ ): 5 m/s<sup>2</sup>

Onnauwkeurigheid (K): 1,5 m/s<sup>2</sup>

Bedrijfsfunctie: bladmetaal zagen

Trillingsemissie ( $a_{h,CM}$ ): 4,5 m/s<sup>2</sup>

Onnauwkeurigheid (K): 1,5 m/s<sup>2</sup>

## ESPAÑOL

**Modelo; 4326, 4327**

**Para países europeos solamente**

### Ruido

El nivel de ruido A-ponderado típico determinado de acuerdo con la norma EN60745-2-11:

Nivel de presión sonora ( $L_{pA}$ ): 86 dB (A)

Nivel de potencia sonora ( $L_{WA}$ ): 97 dB (A)

Incerteza (K): 3 dB (A)

**Póngase protectores en los oídos.**

### Vibración

El valor total de la vibración (suma de vectores triaxiales) determinado de acuerdo con la norma EN60745-2-11:

Modo tarea: corte de madera aglomerada

Emisión de vibración ( $a_{h,CW}$ ): 5 m/s<sup>2</sup>

Incerteza (K): 1,5 m/s<sup>2</sup>

Modo tarea: corte de chapa de metal

Emisión de vibración ( $a_{h,CM}$ ): 4,5 m/s<sup>2</sup>

Incerteza (K): 1,5 m/s<sup>2</sup>

## PORTUGUÊS

**Modelo; 4326, 4327**

**Só para países Europeus**

**Ruído**

A característica do nível de ruído A determinado de acordo com EN60745-2-11:

Nível de pressão de som ( $L_{pA}$ ): 86 dB (A)

Nível do som ( $L_{WA}$ ): 97 dB (A)

Variabilidade (K): 3 dB (A)

**Utilize protectores para os ouvidos.**

**Vibração**

Valor total da vibração (soma vectorial tri-axial) determinada conforme EN60745-2-11:

Modo de funcionamento: corte de placa laminada

Emissão de vibração ( $a_{h,CW}$ ): 5 m/s<sup>2</sup>

Variabilidade (K): 1,5 m/s<sup>2</sup>

Modo de funcionamento: corte de folha de metal

Emissão de vibração ( $a_{h,CM}$ ): 4,5 m/s<sup>2</sup>

Variabilidade (K): 1,5 m/s<sup>2</sup>

## DANSK

**Model; 4326, 4327**

**Kun for lande i Europa**

**Lyd**

Det typiske A-vægtede støjniveau bestemt i overensstemmelse med EN60745-2-11:

Lydtryksniveau ( $L_{pA}$ ): 86 dB (A)

Lyd effektniveau ( $L_{WA}$ ): 97 dB (A)

Usikkerhed (K): 3 dB (A)

**Bær høreværn.**

**Vibration**

Vibrations totalværdi (tre-aksial vektorsum) bestemt i overensstemmelse med EN60745-2-11:

Arbejdsindstilling: skæring af spånplade

Vibrationsafgivelse ( $a_{h,CW}$ ): 5 m/s<sup>2</sup>

Usikkerhed (K): 1,5 m/s<sup>2</sup>

Arbejdsindstilling: skæring af metalplade

Vibrationsafgivelse ( $a_{h,CM}$ ): 4,5 m/s<sup>2</sup>

Usikkerhed (K): 1,5 m/s<sup>2</sup>

## ΕΛΛΗΝΙΚΑ

**Μοντέλο; 4326, 4327**

**Μόνο για χώρες της Ευρώπης**

**Θόρυβος**

Το τυπικό Α επίπεδο μετρημένου θορύβου καθορίζεται σύμφωνα με το EN60745-2-11:

Επίπεδο πίεσης θορύβου ( $L_{pA}$ ): 86 dB(A)

δύναμη του ήχου ( $L_{WA}$ ): 97 dB (A)

Αβεβαιότητα (K): 3 dB (A)

**Φοράτε ωτοασπίδες.**

**Κραδασμός**

Η ολική τιμή δόνησης (άθροισμα τρι-αξονικού διανύσματος) καθορίζεται σύμφωνα με το EN60745-2-11:

Θέση εργασίας: κοπή σανίδας

Εκπομπή δόνησης ( $a_{h,CW}$ ): 5 m/s<sup>2</sup>

Αβεβαιότητα (K): 1,5 m/s<sup>2</sup>

Θέση εργασίας: κοπή φύλλου μετάλλου

Εκπομπή δόνησης ( $a_{h,CM}$ ): 4,5 m/s<sup>2</sup>

Αβεβαιότητα (K): 1,5 m/s<sup>2</sup>

## ENGLISH

**Model; 4328, 4329**

**For European countries only**

### Noise

The typical A-weighted noise level determined according to EN60745-2-11:

Sound pressure level ( $L_{pA}$ ): 83 dB (A)

Uncertainty (K): 3 dB (A)

The noise level under working may exceed 85 dB (A).

**Wear ear protection.**

### Vibration

The vibration total value (tri-axial vector sum) determined according to EN60745-2-11:

Work mode: cutting chipboard

Vibration emission ( $a_{h,CW}$ ): 7 m/s<sup>2</sup>

Uncertainty (K): 1,5 m/s<sup>2</sup>

Work mode: cutting sheet metal

Vibration emission ( $a_{h,CM}$ ): 5 m/s<sup>2</sup>

Uncertainty (K): 1,5 m/s<sup>2</sup>

## FRANÇAISE

**Modèle ; 4328, 4329**

**Pour les pays d'Europe uniquement**

### Bruit

Niveau de bruit pondéré A typique, déterminé selon EN60745-2-11 :

Niveau de pression sonore ( $L_{pA}$ ) : 83 dB (A)

Incertitude (K) : 3 dB (A)

Le niveau de bruit en fonctionnement peut dépasser 85 dB (A).

**Porter des protecteurs anti-bruit.**

### Vibrations

Valeur totale de vibrations (somme de vecteur triaxial) déterminée selon EN60745-2-11 :

Mode de travail : coupe de panneaux de copeaux

Émission de vibrations ( $a_{h,CW}$ ) : 7 m/s<sup>2</sup>

Incertitude (K) : 1,5 m/s<sup>2</sup>

Mode de travail : coupe de tôle

Émission de vibrations ( $a_{h,CM}$ ) : 5 m/s<sup>2</sup>

Incertitude (K) : 1,5 m/s<sup>2</sup>

## DEUTSCH

**Modell; 4328, 4329**

**Nur für europäische Länder**

### Geräusch

Typischer A-bewerteter Geräuschpegel ermittelt gemäß EN60745-2-11:

Schalldruckpegel ( $L_{pA}$ ): 83 dB (A)

Ungewissheit (K): 3 dB (A)

Der Lärmpegel kann während des Betriebs 85 dB (A) überschreiten.

**Gehörschutz tragen.**

### Vibration

Vibrationsgesamtwert (Drei-Achsen-Vektorsumme) ermittelt gemäß EN60745-2-11:

Arbeitsmodus: Schneiden von Spanplatten

Vibrationsemission ( $a_{h,CW}$ ): 7 m/s<sup>2</sup>

Ungewissheit (K): 1,5 m/s<sup>2</sup>

Arbeitsmodus: Schneiden von Blechen

Vibrationsemission ( $a_{h,CM}$ ): 5 m/s<sup>2</sup>

Ungewissheit (K): 1,5 m/s<sup>2</sup>

## ITALIANO

**Modello; 4328, 4329**

**Modello per l'Europa soltanto**

### Rumore

Il tipico livello di rumore pesato A determinato secondo EN60745-2-11:

Livello pressione sonora ( $L_{pA}$ ): 83 dB (A)

Incertezza (K): 3 dB (A)

Il livello di rumore durante il lavoro potrebbe superare gli 85 dB (A).

**Indossare i paraorecchi.**

### Vibrazione

Il valore totale di vibrazione (somma vettore triassiale) determinato secondo EN60745-2-11:

Modalità operativa: Taglio dei truciolati

Emissione di vibrazione ( $a_{h,CW}$ ): 7 m/s<sup>2</sup>

Incertezza (K): 1,5 m/s<sup>2</sup>

Modalità operativa: Taglio delle lamiere

Emissione di vibrazione ( $a_{h,CM}$ ): 5 m/s<sup>2</sup>

Incertezza (K): 1,5 m/s<sup>2</sup>

## NEDERLANDS

**Model; 4328, 4329**

**Alleen voor Europese landen**

### Geluidsniveau

De typisch, A-gewogen geluidsniveaus vastgesteld volgens EN60745-2-11:

Geluidsdrukniveau ( $L_{pA}$ ): 83 dB (A)

Onnauwkeurigheid (K): 3 dB (A)

Tijdens het werken kan het geluidsniveau 85 dB (A) overschrijden.

**Draag oorbeschermers.**

### Trilling

De totaalwaarde van de trillingen (triaxiale vectorsom) vastgesteld volgens EN60745-2-11:

Bedrijfsfunctie: spaanplaat zagen

Trillingsemisie ( $a_{h,CW}$ ): 7 m/s<sup>2</sup>

Onnauwkeurigheid (K): 1,5 m/s<sup>2</sup>

Bedrijfsfunctie: bladmetaal zagen

Trillingsemisie ( $a_{h,CM}$ ): 5 m/s<sup>2</sup>

Onnauwkeurigheid (K): 1,5 m/s<sup>2</sup>

## ESPAÑOL

**Modelo; 4328, 4329**

**Para países europeos solamente**

### Ruido

El nivel de ruido A-ponderado típico determinado de acuerdo con la norma EN60745-2-11:

Nivel de presión sonora ( $L_{pA}$ ): 83 dB (A)

Incerteza (K): 3 dB (A)

El nivel de ruido en condiciones de trabajo puede que sobrepase los 85 dB (A).

**Póngase protectores en los oídos.**

### Vibración

El valor total de la vibración (suma de vectores triaxiales) determinado de acuerdo con la norma EN60745-2-11:

Modo tarea: corte de madera aglomerada

Emisión de vibración ( $a_{h,CW}$ ): 7 m/s<sup>2</sup>

Incerteza (K): 1,5 m/s<sup>2</sup>

Modo tarea: corte de chapa de metal

Emisión de vibración ( $a_{h,CM}$ ): 5 m/s<sup>2</sup>

Incerteza (K): 1,5 m/s<sup>2</sup>

## PORTUGUÊS

**Modelo; 4328, 4329**

**Só para países Europeus**

### Ruído

A característica do nível de ruído A determinado de acordo com EN60745-2-11:

Nível de pressão de som ( $L_{pA}$ ): 83 dB (A)

Variabilidade (K): 3 dB (A)

O nível de ruído durante o trabalho pode exceder 85 dB (A).

**Utilize protectores para os ouvidos.**

### Vibração

Valor total da vibração (soma vectorial tri-axial) determinada conforme EN60745-2-11:

Modo de funcionamento: corte de placa laminada

Emissão de vibração ( $a_{h,CW}$ ): 7 m/s<sup>2</sup>

Variabilidade (K): 1,5 m/s<sup>2</sup>

Modo de funcionamento: corte de folha de metal

Emissão de vibração ( $a_{h,CM}$ ): 5 m/s<sup>2</sup>

Variabilidade (K): 1,5 m/s<sup>2</sup>

## DANSK

**Model; 4328, 4329**

**Kun for lande i Europa**

### Lyd

Det typiske A-vægtede støjniveau bestemt i overensstemmelse med EN60745-2-11:

Lydtryksniveau ( $L_{pA}$ ): 83 dB (A)

Usikkerhed (K): 3 dB (A)

Støjniveauet under arbejde kan overstige 85 dB (A).

**Bær høreværn.**

### Vibration

Vibrations totalværdi (tre-aksial vektorsum) bestemt i overensstemmelse med EN60745-2-11:

Arbejdsindstilling: skæring af spånplade

Vibrationsafgivelse ( $a_{h,CW}$ ): 7 m/s<sup>2</sup>

Usikkerhed (K): 1,5 m/s<sup>2</sup>

Arbejdsindstilling: skæring af metalplade

Vibrationsafgivelse ( $a_{h,CM}$ ): 5 m/s<sup>2</sup>

Usikkerhed (K): 1,5 m/s<sup>2</sup>

## ΕΛΛΗΝΙΚΑ

**Μοντέλο; 4328, 4329**

**Μόνο για χώρες της Ευρώπης**

### Θόρυβος

Το τυπικό Α επίπεδο μετρημένου θορύβου καθορίζεται σύμφωνα με το EN60745-2-11:

Επίπεδο πίεσης θορύβου ( $L_{pA}$ ): 83 dB(A)

Αβεβαιότητα (K): 3 dB (A)

Η ένταση ήχου υπο συνθήκες εργασίας μπορεί να υπερβεί τα 85 dB (A).

**Φοράτε ωτοασπίδες.**

### Κραδασμός

Η ολική τιμή δόνησης (άθροισμα τρι-αξονικού διανύσματος) καθορίζεται σύμφωνα με το EN60745-2-11:

Θέση εργασίας: κοπή σανίδας

Εκπομπή δόνησης ( $a_{h,CW}$ ): 7 m/s<sup>2</sup>

Αβεβαιότητα (K): 1,5 m/s<sup>2</sup>

Θέση εργασίας: κοπή φύλλου μετάλλου

Εκπομπή δόνησης ( $a_{h,CM}$ ): 5 m/s<sup>2</sup>

Αβεβαιότητα (K): 1,5 m/s<sup>2</sup>

**Makita Corporation**

Anjo, Aichi, Japan

884727A995